



Faucets for commercial kitchens

Planning and technology



Strong and striking.

The KWC GASTRO range is impressive from start to finish. A selection of classic designs that provide just what a commercial kitchen needs: high flow rate, easy access for pans and robust craftsmanship. Turn the faucet on and feel the power for yourself.





Contents

Hidden talents.	4-5
Perfection – down to the last detail.	6-7

Single lever mixers

Single lever mixers 3/4"	8-11
Single lever mixers 3/4" with pre-rinse spray	12-13
Single lever mixers 1/2"	14

Two handle mixers

Two handle mixers 3/4"	16-20
Two handle mixers 1/2"	21
Two handle mixers 1/2" with pre-rinse spray	22-24

Single handle faucets

Single handle faucets 3/4"	20
Single handle faucets 1/2" with pre-rinse spray	25

Touch-free faucets

Single hole, deck mounted/two hole, wall mounted	26-27
---	-------

Spare parts	28-39
--------------------	-------

Accessories	39
--------------------	----

From the KWC kitchen range	40-41
-----------------------------------	-------

KWC – a tradition of innovation	42-43
--	-------

Hidden talents.

Our complete high-tech range for professionals.

KWC GASTRO faucets are designed for professional use and offer high performance in the kitchen. They combine good looks with thoroughgoing functionality. A glance at the key technical features demonstrates that true beauty often comes from within.



Valve

The turbocharger for two handle mixers. The upper components of KWC GASTRO faucets are highly durable, have a long service life and function smoothly and efficiently.



Handle

Superb functionality. The robust Corona chrome metal handles fit the hand perfectly and can be easily pulled off and cleaned. An optional anti-theft device is also available (see page 43).



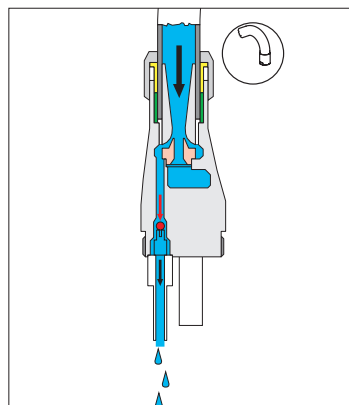
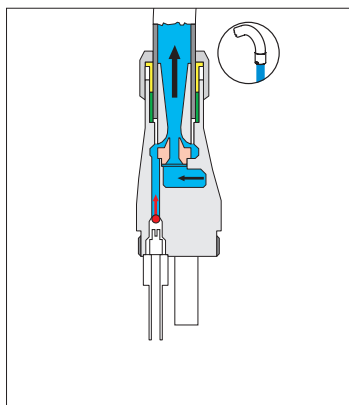
Cartridge

The KWC high capacity cartridge offers impressive performance throughout the temperature range. The tough ceramic disk is resistant to limescale and dirt, provides protection against water hammer and is very long lasting.



Single lever mixer

Convenient and accurate. Anyone with their hands full will appreciate how easy the single lever mixer is to use.



Spout drain mechanism

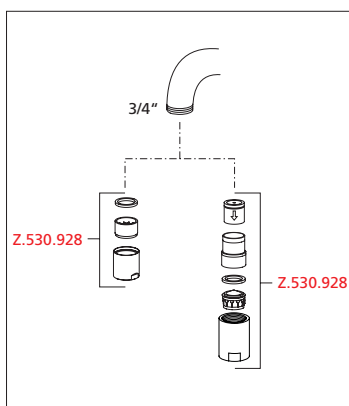
Water remaining in the faucet can cause hygiene problems. The automatic KWC spout drain mechanism offers a high-tech solution.

Models, see page 18

K.24.41.32.000C07

K.24.41.34.000C07

K.24.41.36.000C07



Drip-stop

No more irritating dripping. The drip-stop prevents the water remaining in the faucet from dripping out of the spout. It fits all KWC GASTRO 3/4" faucets and can be retrofitted at any time.



Gland

Robust, efficient, durable and thoroughly tried-and-tested. With special quick-tightening Teflon seal.



3/4" spout

The smooth-functioning, hard-wearing swivel spouts on KWC GASTRO faucets are available in 300 mm and 450 mm lengths. The 3/4" model is equipped with a gland and designed for high performance.



1/2" spout

The 1/2" model with its seal ring and O-ring offers reliable performance in less tough conditions where a lower flow rate is sufficient. A welcome addition to the KWC GASTRO range.



Non-return valve

Where faucets have a mixed water shut-off, there is a risk of the water circulating internally. The integral non-return valve in the KWC GASTRO range prevents this from happening.

Standards

In accordance with DIN 50930 part 6, brass faucets can be used without testing in all drinking water areas of Switzerland and Germany, providing, among other things, that the following upper limits for alloys are not exceeded:

Permitted proportion of lead: maximum 3,5%

KWC cast parts: maximum 1,2%

KWC turned parts: maximum 2% to 3%

Permitted proportion of arsenic: maximum 0,15%

KWC: < 0,05%

The brass used by KWC is sufficiently far below these limits to ensure that KWC faucets are also the ideal solution for sensitive applications.

Perfection – down to the last detail.

Small but crucial differences.

KWC GASTRO faucets are impact- and shock-resistant – virtually indestructible. A pillar of strength in the hectic atmosphere of a kitchen, they will perform efficiently for years on end. Simply turn on the faucet and one hundred plus litres of water a minute gush out, saving time and stress.



Pre-rinse spray

Ergonomic design, easy to clean, top-class technology. With an integrated shock absorber to prevent damage to the faucet and a practical lever lock that allows it to be operated with one hand. Flow rate at 3 bar: 15 l/min. to prevent crockery being damaged by the water flow.

Support spring

Aesthetically pleasing, practical and innovative. The stainless steel spring provides effective support for the hose and adds the finishing touch to its attractive appearance.





Wall bracket

Not only elegant, but useful to increase stability.



Extended wall bracket

For special applications and even more freedom of movement.



Free-standing bracket

Practical and space-saving, right next to the faucet.

Spray head

One handle, two spray patterns. Simply reverse the aerator to switch from a conical to a straight spray pattern. The special elastomer ring prevents damage to crockery.



Outstanding leverage.

Always within reach.

KWC GASTRO single lever mixers combine functionality with design appeal. Turning, swivelling and lever adjustment are all accomplished single-handed. Setting the right temperature was never so easy.



Cartridge

The robust, impact-resistant KWC high capacity cartridge lies at the heart of the single lever mixer solutions. It reacts to the smallest movement and produces high-precision results. The cartridge has been developed by KWC itself.





Single lever mixers 3/4"

With its elegant design and high-precision controls, the single lever mixer 3/4" has long since become an industry benchmark. It has a 360° swivel spout with an adjustable gland and a high capacity cartridge with a temperature limiter. It is also available with a pillar extension to give even easier access for pans.

Single hole, deck mounted



Single hole single lever mixer 3/4"

- 360° swivel spout with adjustable gland
- KWC high capacity cartridge with temperature limiter
- Installation hole Ø 42 mm
- Flow rate at 3 bar: 40 l/min. Aerator with laminar stream

24.501.044.000 A 300 mm
24.501.046.000 A 450 mm



Single hole single lever mixer 3/4"

- With deck mounted pillar Z.506.270, height 100 mm
- 360° swivel spout with adjustable gland
- KWC high capacity cartridge with temperature limiter
- Installation hole Ø 42 mm
- Flow rate at 3 bar: 40 l/min. Aerator with laminar stream

24.501.054.000 A 300 mm
24.501.056.000 A 450 mm

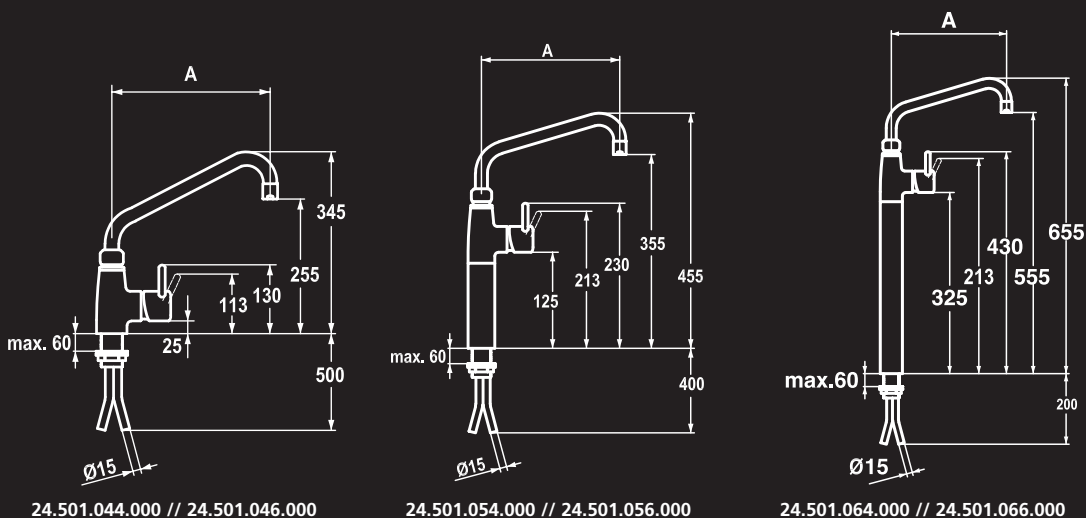


Single hole single lever mixer 3/4"

- With deck mounted pillar Z.506.022, height 300 mm
- 360° swivel spout with adjustable gland
- KWC high capacity cartridge with temperature limiter
- Installation hole Ø 42 mm
- Flow rate at 3 bar: 40 l/min. Aerator with laminar stream

24.501.064.000 A 300 mm
24.501.066.000 A 450 mm

For spare parts, see page 30.



Two hole, deck mounted



Two hole single lever mixer 3/4"

- 360° swivel spout with adjustable gland
- High capacity cartridge with temperature limiter
- Deck connections K.30.99.35 3/4" x 3/4", length 45 mm
- Installation hole Ø 30 mm
- Flow rate at 3 bar: 42 l/min.
- Aerator with laminar stream

24.503.174.000 A 300 mm AD 153



Two hole single lever mixer 3/4"

- 360° swivel spout with adjustable gland
- High capacity cartridge with temperature limiter
- Deck connections K.30.99.36 3/4" x 3/4", length 195 mm
- Installation hole Ø 30 mm
- Flow rate at 3 bar: 42 l/min.
- Aerator with laminar stream

24.503.184.000 A 300 mm AD 153

Wall mounted

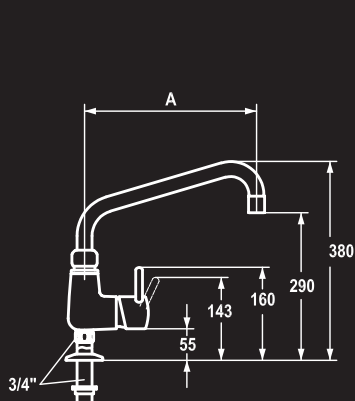


Wall mounted single lever mixer 3/4"

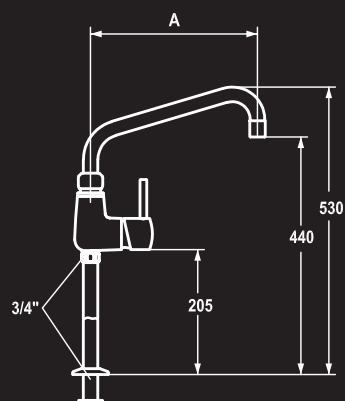
- 360° swivel spout without stop and with adjustable gland
- High capacity cartridge with temperature limiter
- Eccentric wall connections K.30.99.01 3/4" x 3/4"
- Flow rate at 3 bar: 42 l/min.
- Aerator with laminar stream

24.502.194.000 A 300 mm AD 153±8
24.502.196.000 A 450 mm AD 153±8

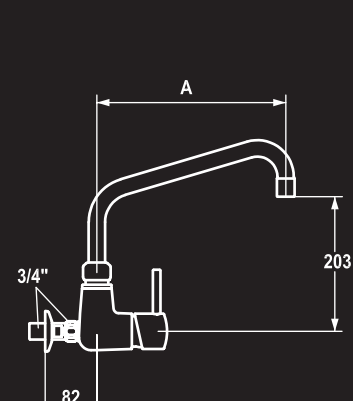
For spare parts, see pages 30/31.



24.503.174.000



24.503.184.000



24.502.194.000 // 24.502.196.000

Single lever mixers 3/4" with pre-rinse spray

The faucet with additional functionality for increased efficiency. Easy to use and ideal for rinsing off pans and crockery before and after washing.

Available with or without spout, in single hole or two hole, wall or deck mounted versions.



Single hole, deck mounted



Single hole single lever mixer 3/4" with pre-rinse spray

- Pre-rinse spray
- Stainless steel support spring
- KWC high capacity cartridge with temperature limiter
- Non-return valve
- Installation hole Ø 42 mm
- Flow rate at 3 bar: pre-rinse spray 15 l/min.

24.501.130.000

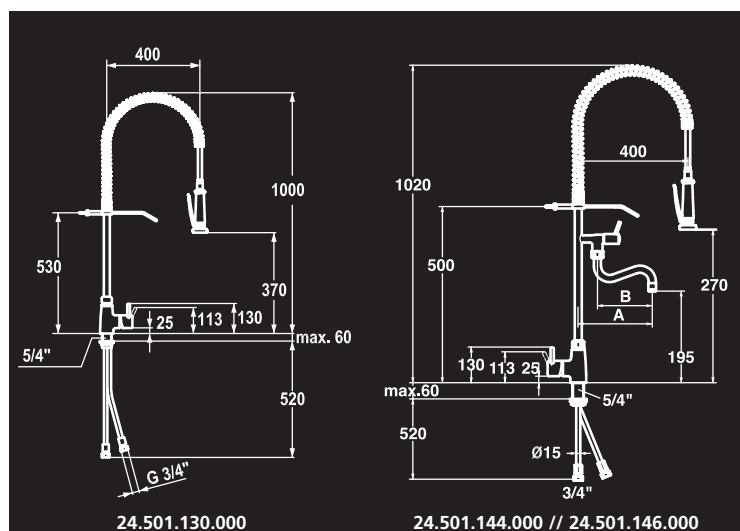


Single hole single lever mixer 3/4" with pre-rinse spray

- Pre-rinse spray
- Stainless steel support spring
- Swivel spout without stop and with laminar stream
- KWC high capacity cartridge with temperature limiter
- Non-return valve
- Installation hole Ø 42 mm
- Flow rate at 3 bar: 40 l/min
Aerator with laminar stream
Pre-rinse spray 15 l/min.

24.501.144.000 A 270 mm B 200 mm
24.501.146.000 A 370 mm B 300 mm

For spare parts, see page 31.



Two hole, deck mounted



Two hole single lever mixer 3/4" with pre-rinse spray

- Swivel spout without stop and with adjustable gland
- Pre-rinse spray
- Stainless steel support spring
- High capacity cartridge with temperature limiter
- Non-return valve
- Deck connections K.30.99.34 1/2" x 3/4", length 130 mm
- Installation hole Ø 23 mm
- Flow rate at 3 bar: 20 l/min. Aerator with laminar stream
- Pre-rinse spray 15 l/min.

24.503.114.000 A 270 mm B 200 mm
AD 153

Wall mounted



Wall mounted single lever mixer 3/4" with pre-rinse spray

- Swivel spout without stop and with adjustable gland
- Pre-rinse spray
- Stainless steel support spring
- High capacity cartridge with temperature limiter
- Non-return valve
- Eccentric wall connections K.30.99.01 1/2" x 3/4"
- Flow rate at 3 bar: 20 l/min. Aerator with laminar stream
- Pre-rinse spray 15 l/min.

24.502.164.000 A 270 mm B 200 mm
AD 153±8

24.502.166.000 A 370 mm B 300 mm
AD 153±8



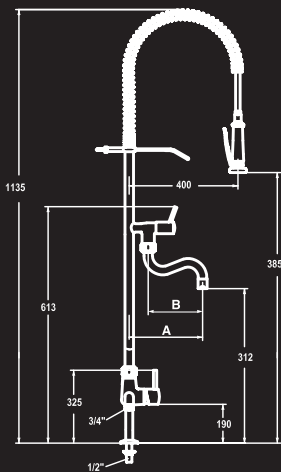
Two hole single lever mixer 3/4" with pre-rinse spray

- Swivel spout without stop and with adjustable gland
- Pre-rinse spray
- Stainless steel support spring
- High capacity cartridge with temperature limiter
- Non-return valve
- Deck connections K.30.99.38 1/2" x 3/4", length 340 mm
- Installation hole Ø 23 mm
- Flow rate at 3 bar: 20 l/min. Aerator with laminar stream
- Pre-rinse spray 15 l/min.

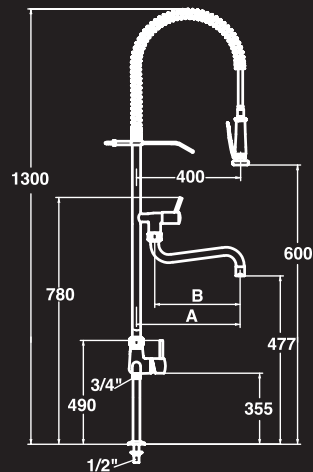
24.503.124.000 A 270 mm B 200 mm
AD 153

24.503.126.000 A 370 mm B 300 mm
AD 153

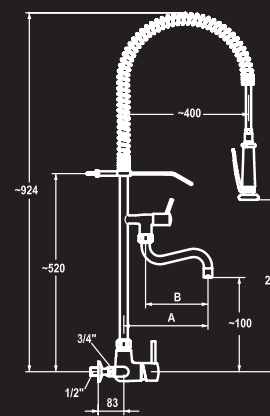
For spare parts, see page 32.



24.503.114.000



24.503.124.000 // 24.503.126.000



24.502.164.000 // 24.502.166.000

Single lever mixer 1/2"

The complementary range for the washbasin area.

The smaller cartridge and lower flow rate make it the perfect solution for an additional sink unit in a professional environment. It has an extended, ergonomic lever.

Single hole, deck mounted



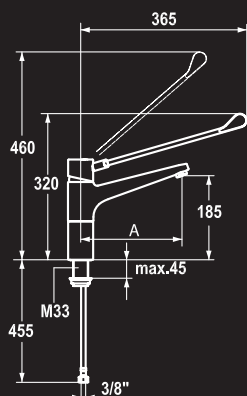
Single hole single lever mixer 1/2"

- 160° swivel spout
- KWC universal cartridge
- Flexible lever
- Flow rate at 3 bar:
Neoperl® Cascade 12 l/min.

24.501.103.000 A 225 mm

24.501.104.000 A 300 mm

For spare parts, see page 32.



24.501.103.000 // 24.501.104.000

The power of two.

Hot and cold perfection.

Working under pressure leaves no time for compromises, particularly when it comes to faucets. That's when it's comforting to know that the KWC two handle mixer will deliver the water you need, at just the right temperature and amount. It's a pleasure to use!



Valve

There's a lot to say about this valve, but not much to quibble over. It's designed to function effectively and efficiently. Simply turn the faucet on and the water will come pouring out of the spout at full force. Again and again and again. The water flow can be easily and accurately adjusted. The valve seat is made of stainless steel.





Two handle mixers 3/4"

The two handle mixer 3/4" is all about water power. The perfect faucet for commercial kitchens, where performance and ease of use are crucial. Available in a variety of spout lengths and pillar heights.

Single hole, deck mounted



Single hole two handle mixer 3/4"

- Corona chrome removable metal handles
- Stainless steel valve seats
- Flat plate upper M 20 x 1,25
- 360° swivel spout with adjustable gland
- Aerator nozzle 3/4"
- Installation hole Ø 42 mm
- Flow rate at 3 bar: 80 l/min. Aerator with laminar stream

K.24.41.00.000C07 without spout
K.24.41.04.000C07 A 300 mm
K.24.41.06.000C07 A 450 mm



Single hole two handle mixer 3/4"

- Corona chrome removable metal handles
- Stainless steel valve seats
- Flat plate upper M 20 x 1,25
- 360° swivel spout with adjustable gland
- Aerator nozzle 3/4"
- Installation hole Ø 42 mm
- Flow rate at 3 bar: 80 l/min. Aerator with laminar stream

K.24.41.A2.000C07 A 300 mm

Single hole, deck mounted, with pillar



Single hole two handle mixer 3/4"

- Corona chrome removable metal handles
- Stainless steel valve seats
- Flat plate upper M 20 x 1,25
- 360° swivel spout with adjustable gland
- Aerator nozzle 3/4"
- Installation hole Ø 42 mm
- Flow rate at 3 bar: 80 l/min. Aerator with laminar stream

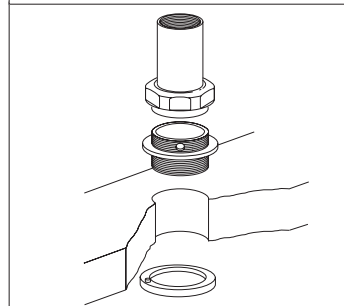
K.24.41.20.000C07 A 300 mm
K.24.41.21.000C07 A 450 mm



Single hole two handle mixer 3/4"

- **Automatic spout drain mechanism**
- Separate pillar assembly for advance installation
- Corona chrome removable metal handles
- Stainless steel valve seats
- Flat plate upper M 20 x 1,25
- 360° swivel spout with adjustable gland
- Aerator nozzle 3/4"
- Installation hole Ø 62 mm
- Flow rate at 3 bar: 80 l/min. Aerator with laminar stream

K.24.41.32.000C07 A 300 mm
K.24.41.34.000C07 A 450 mm

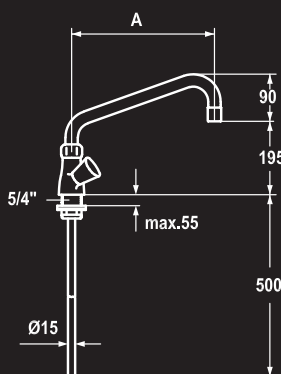


KWC deck pillar

- Separate pillar assembly for advance installation
- Locking device
- Work surface thickness max. 20 mm
- Installation hole Ø 62 mm

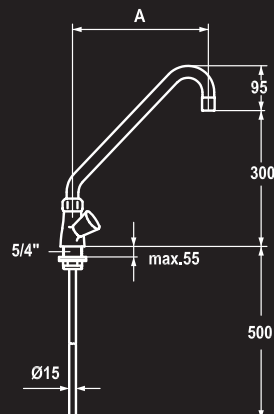
To save time during the installation, the pillar can be fitted in advance by the kitchen installer.

For spare parts, see pages 33/34.

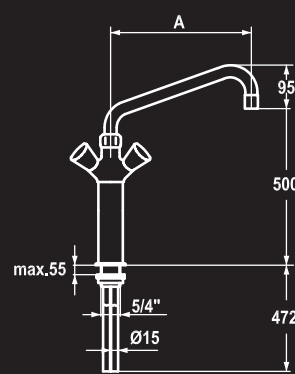


K.24.41.00.000C07

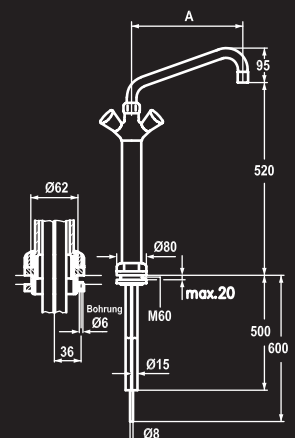
K.24.41.04.000C07 // K.24.41.06.000C07



K.24.41.A2.000C07



K.24.41.20.000C07 // K.24.41.21.000C07



K.24.41.32.000C07 // K.24.41.34.000C07

Wall mounted



Wall mounted two handle mixer 3/4"

- Corona chrome removable metal handles
- Stainless steel valve seats
- Flat plate upper M 20 x 1,25
- Swivel spout without stop and with adjustable gland
- Eccentric wall connections
K.30.99.01 3/4" x 3/4" for model K.24.42.11.000C86
K.30.99.14 3/4" x 3/4" for model K.24.42.12.000C86
- Aerator nozzle 3/4"
- Flow rate at 3 bar: 105 l/min.
Aerator with laminar stream

K.24.42.11.000C86
A 300 mm AD 153±15 B 85



Wall mounted two handle mixer 3/4"

- Corona chrome removable metal handles
- Stainless steel valve seats
- Flat plate upper M 20 x 1,25
- Threaded outlet with hose connection
- Non-return mechanism
- Eccentric wall connections
K.30.99.01 3/4" x 3/4"
- Non-return valve in the fitting
- Flow rate at 3 bar: 70 l/min.
with anti-vacuum valve: 40 l/min.

K.24.42.17.000C86 AD 153±15 G 3/4"
K.24.42.19.000C86 AD 153±15
DN 20x3/4"

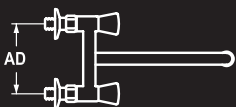
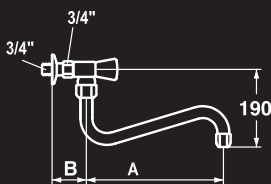


Wall mounted two handle mixer 3/4"

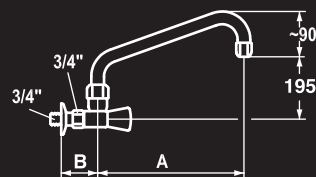
- Corona chrome removable metal handles
- Stainless steel valve seats
- Flat plate upper M 20 x 1,25
- Swivel spout without stop and with adjustable gland
- Eccentric wall connections
K.30.99.01 3/4" x 3/4" for model K.24.42.21.000C86 and
K.24.42.24.000C86
K.30.99.14 3/4" x 3/4" for model K.24.42.22.000C86
- Aerator nozzle 3/4"
- Flow rate at 3 bar: 105 l/min.
Aerator with laminar stream

K.24.42.21.000C86
A 300 mm AD 153±15 B 85
K.24.42.22.000C74
A 300 mm AD 153± 3 B 205
K.24.42.24.000C86
A 450 mm AD 153±15 B 85

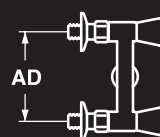
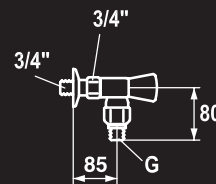
For spare parts, see pages 34/35.



K.24.42.11.000C86



K.24.42.21.000C86
K.24.42.22.000C74 // K.24.42.24.000C86



K.24.42.17.000C86 // K.24.42.19.000C86

Two handle mixers 3/4"

Single handle faucets 3/4"

Two hole, deck mounted



Two hole two handle mixer 3/4"

- Corona chrome removable metal handles
- Stainless steel valve seats
- Flat plate upper M 20 x 1,25
- 360° swivel spout with adjustable gland
- Aerator nozzle 3/4"
- Installation hole Ø 28 mm
- Flow rate at 3 bar: 100 l/min. Aerator with laminar stream

K.24.42.41.000C74
A 300 mm AD 153±3 T 235
K.24.42.42.000C74
A 300 mm AD 153±3 T 340

Wall mounted



Wall mounted faucet 3/4"

- Stainless steel valve seat
- Flat plate upper M 20 x 1,25
- 360° swivel spout with adjustable gland
- Wall connection 3/4"
- Aerator nozzle 3/4"
- Flow rate at 3 bar: 86 l/min. Aerator with laminar stream

K.25.40.14.000C35 A 300 mm
K.25.40.16.000C35 A 450 mm



Two hole two handle mixer 3/4"

- Corona chrome removable metal handles
- Stainless steel valve seats
- Flat plate upper M 20 x 1,25
- 360° swivel spout with adjustable gland
- Aerator nozzle 3/4"
- Flow rate at 3 bar: 110 l/min. Aerator with laminar stream

K.24.42.E1.000C35
A 300 mm AD 153±3 T 210
K.24.42.E2.000C35
A 300 mm AD 153±3 T 315
K.24.42.E3.000C35
A 300 mm AD 153±3 T 440

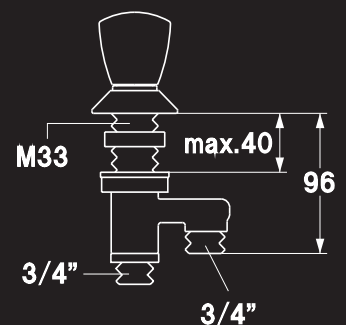
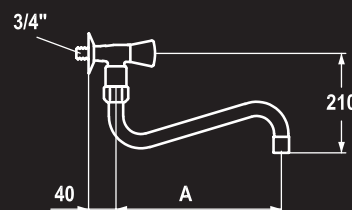
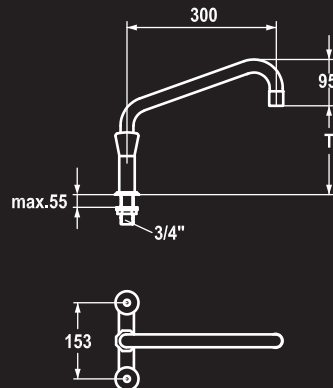
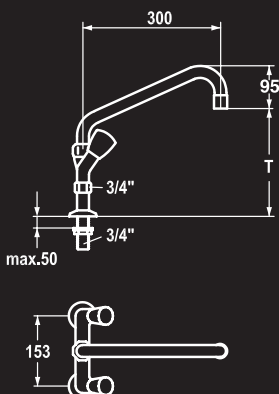


Shut-off valve 3/4" for worktop installation

- Corona chrome removable metal handle
- Stainless steel valve seat
- Flat plate upper M 25x1,25
- Installation hole Ø 28 mm
- Flow rate at 3 bar: 110 l/min.

K.24.40.00.000C35

For spare parts, see page 35.



K.24.42.41.000C74 // K.24.42.42.000C74

K.24.42.E1.000C35 // K.24.42.E2.000C35 // K.24.42.E3.000C35

K.25.40.14.000C35 // K.25.40.16.000C35

K.24.40.00.000C35

Two handle mixers 1/2"

Ideal for the washbasin area – the KWC GASTRO 1/2" range.

The perfect complement for the high-performance faucet.

Normal O-ring seals, available in deck or wall mounted models.

Single hole, deck mounted



Single hole two handle mixer 1/2"

- Corona chrome removable metal handles
 - Stainless steel valve seats
 - Flat plate upper M 20 x 1,25
 - 160° swivel spout
 - Aerator nozzle M 22
 - Installation hole Ø 35 mm
 - Flow rate at 3 bar: 30 l/min.
- Aerator with laminar stream

K.24.41.24.000C02 A 300 mm

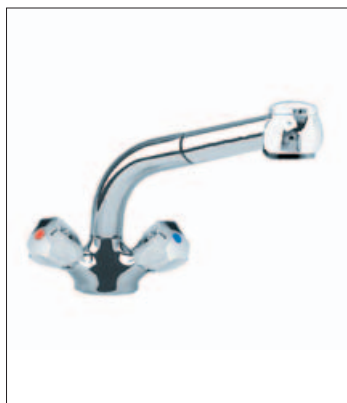
Two hole, deck mounted



Two hole two handle mixer 1/2"

- Corona chrome removable metal handles
 - Stainless steel valve seats
 - Flat plate upper M 20 x 1,25
 - 180° swivel spout
 - Aerator nozzle M 22
 - Installation hole Ø 22 mm
 - Flow rate at 3 bar: 42 l/min.
- Aerator with laminar stream

K.24.42.K1.000C34
A 250 mm AD 153±3 T 215
K.24.42.K3.000C34
A 250 mm AD 153±3 T 310
K.24.42.K5.000C34
A 350 mm AD 153±3 T 215

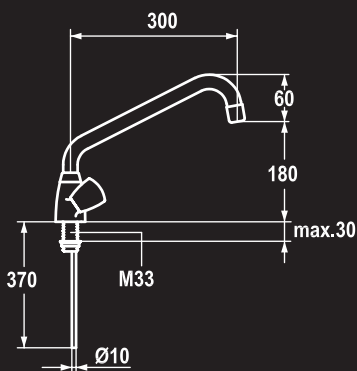


Single hole two handle mixer 1/2"

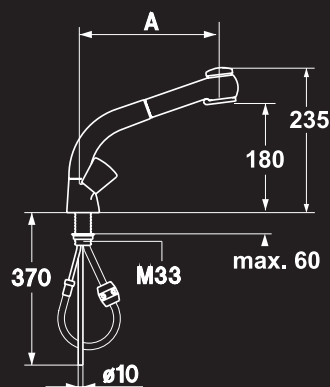
- Bayonet lock for fitting under a window
- Pull-out spray
 - Automatic reset
 - Lockable filtered stream
 - Extends by 70 cm
 - With KWC JETCLEAN technology
- Hose guide swivels through 160°
- Corona chrome removable metal handles
- Flat plate valves with stainless steel valve seats
- Non-return mechanism
- Installation hole Ø 35 mm
- Flow rate at 3 bar: Neoperl® Cascade 12 l/min. Filtered stream 13 l/min.

K.10.41.03.000C03 A 225 mm

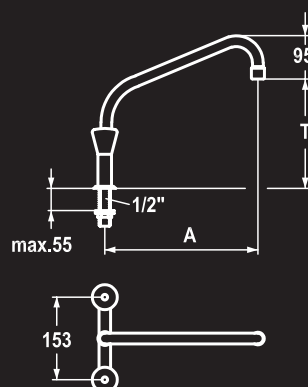
For spare parts, see page 36.



K.24.41.24.000C02



K.10.41.03.000C03



K.24.42.K1.000C34
K.24.42.K3.000C34 // K.24.42.K5.000C34

Two handle mixers 1/2" with pre-rinse spray

The two handle mixer with pre-rinse spray is easy to use, trim and tidy. High-quality materials, the latest technology, plus ergonomic and functional design, all in one compact faucet.



Single hole, deck mounted



Single hole two handle mixer 1/2" with pre-rinse spray

- Corona chrome removable metal handles
- Stainless steel valve seats
- Flat plate upper M 20 x 1,25
- Pre-rinse spray
- Non-return valve
- Installation hole Ø 35 mm
- Flow rate at 3 bar: Pre-rinse spray 15 l/min.

K.24.41.60.000C06

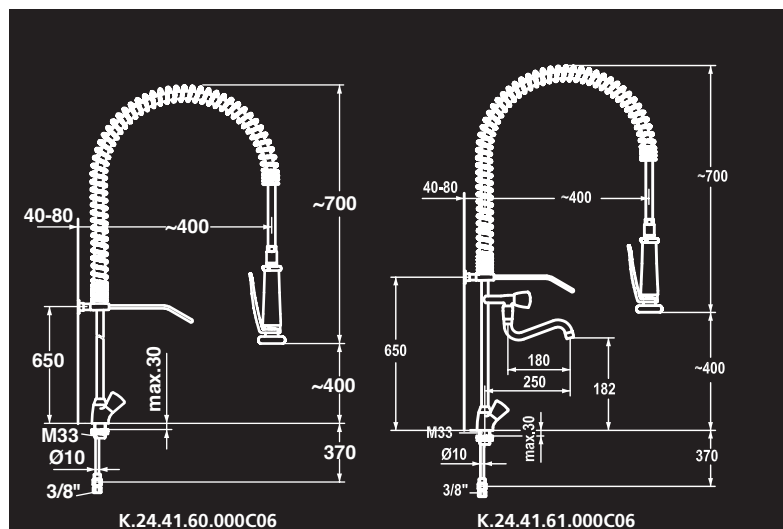


Single hole two handle mixer 1/2" with pre-rinse spray

- Corona chrome removable metal handles
- Stainless steel valve seats
- Flat plate upper M 20 x 1,25
- 180° swivel spout
- Aerator nozzle 1/2"
- Pre-rinse spray
- Non-return valve
- Installation hole Ø 35 mm
- Flow rate at 3 bar: 25 l/min. Aerator with laminar stream
- Pre-rinse spray 15 l/min.

K.24.41.61.000C06 A 250 mm

For spare parts, see page 37.



Two hole, deck mounted



Two hole two handle mixer 1/2" with pre-rinse spray

- Corona chrome removable metal handles
- Stainless steel valve seats
- Flat plate upper M 20 x 1,25
- Pre-rinse spray
- Non-return valve
- Installation hole Ø 22 mm
- Flow rate at 3 bar:
Pre-rinse spray 15 l/min.

K.24.42.62.000C71 AD 153



Two hole two handle mixer 1/2" with pre-rinse spray

- Corona chrome removable metal handles
- Stainless steel valve seats
- Flat plate upper M 20 x 1,25
- 180° swivel spout
- Aerator nozzle M 22
- Pre-rinse spray
- Non-return valve
- Installation hole Ø 22 mm
- Flow rate at 3 bar: 28 l/min.
Aerator with laminar stream
Pre-rinse spray 15 l/min.

K.24.42.64.000C71 A 300 mm AD 153

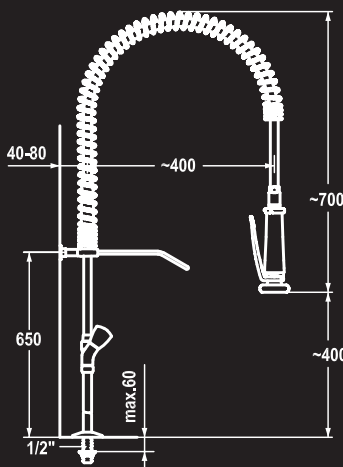


Two hole two handle mixer 1/2" with pre-rinse spray

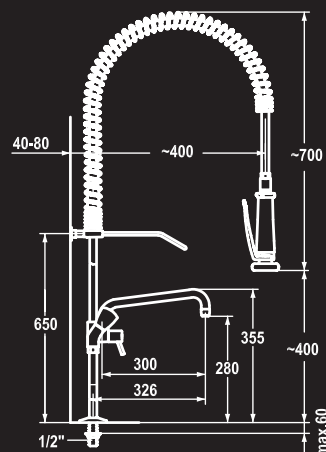
- Corona chrome removable metal handles
- Stainless steel valve seats
- Flat plate upper M 20 x 1,25
- 180° swivel spout
- Aerator nozzle M 22
- Pre-rinse spray
- Non-return valve
- Installation hole Ø 22 mm
- Flow rate at 3 bar: 28 l/min.
Aerator with laminar stream
Pre-rinse spray 15 l/min.

K.24.42.61.000C71 A 250 mm AD 153

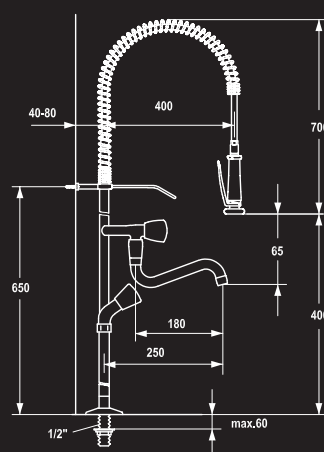
For spare parts, see page 37.



K.24.42.62.000C71



K.24.42.64.000C71



K.24.42.61.000C71

Two handle mixers 1/2" with pre-rinse spray

Two hole, wall mounted



Wall mounted two handle mixer 1/2" with pre-rinse spray

- Corona chrome removable metal handles
- Stainless steel valve seats
- Flat plate upper M 20 x 1,25
- Pre-rinse spray
- Non-return valve
- Eccentric wall connections K.30.99.01 1/2" x 3/4"
- Flow rate at 3 bar: Pre-rinse spray 15 l/min.

K.24.42.70.000C78 AD 153±8

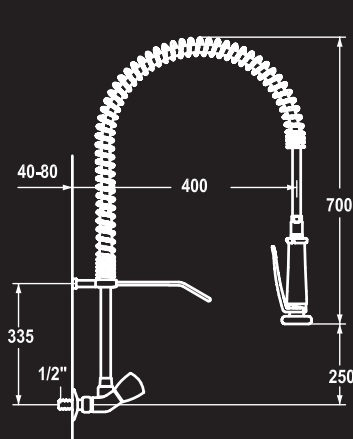


Wall mounted two handle mixer 1/2" with pre-rinse spray

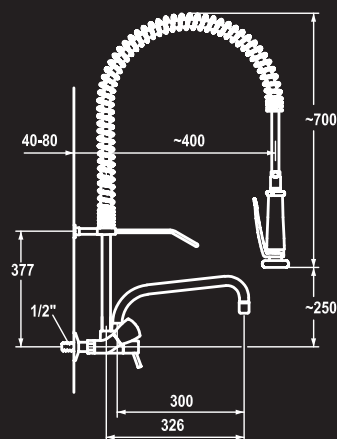
- Corona chrome removable metal handles
- Stainless steel valve seats
- Flat plate upper M 20 x 1,25
- 180° swivel spout
- Aerator nozzle M 22
- Pre-rinse spray
- Non-return valve
- Switch from spray to spout
- Eccentric wall connections K.30.99.01 1/2" x 3/4"
- Flow rate at 3 bar: 28 l/min. Aerator with laminar stream
- Pre-rinse spray 15 l/min.

K.24.42.74.000C78 A 300 mm AD 153±8

For spare parts, see page 38.



K.24.42.70.000C78



K.24.42.74.000C78

Single handle faucets 1/2" with pre-rinse spray

Single handle faucets complete the KWC GASTRO range. They can be used anywhere where a mixer function is not required. They are also ideally suited as shut-off valves.

Single hole, deck mounted



Single hole pre-rinse spray

- Corona chrome removable metal handle
- Stainless steel valve seat
- Flat plate upper M 20 x 1,25
- Pre-rinse spray
- Non-return valve
- Installation hole Ø 22 mm
- Flow rate at 3 bar:
Pre-rinse spray 15 l/min.

K.24.40.60.000C34

Single hole, wall mounted

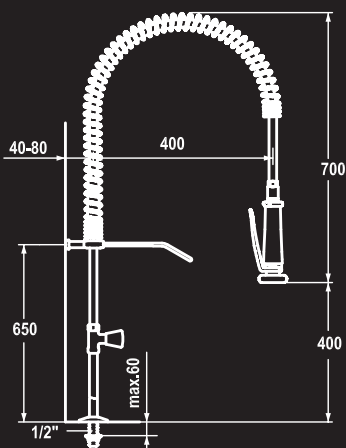


Wall mounted pre-rinse spray

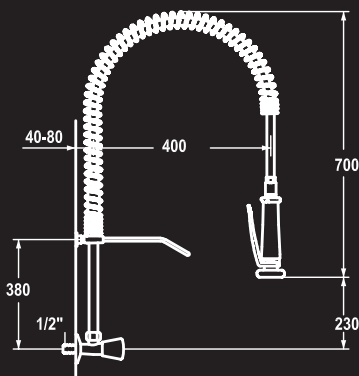
- Corona chrome removable metal handle
- Stainless steel valve seat
- Flat plate upper M 20 x 1,25
- Pre-rinse spray
- Non-return valve
- Flow rate at 3 bar:
Pre-rinse spray 15 l/min.

K.24.40.70.000C34

For spare parts, see page 38.



K.24.40.60.000C34



K.24.40.70.000C34

Telepathy.

The faucet that reads your mind.

KWC TRONIC is a high-tech faucet with a completely new dimension.

An integral infrared sensor allows it to work as if by magic and provide water without manual contact.

Practical, hygienic and impressive: KWC at its best.



Look, no hands.

Anyone with both hands full will love KWC TRONIC. The electronic control system with dual infrared sensors switches the jet of water on and off without manual contact and makes life in a commercial kitchen even more hygienic and efficient.

Single hole, deck mounted



Washbasin faucet A20

- Infrared sensor, without mixer, chrome finish
- Touch-free, electronically controlled washbasin faucet
- Battery: standard 6V lithium 2CR5, service life approx. 3 years
- Mains-operated, surface-mounted: 230/6V wall plug power supply, operating voltage 6V
- Flow rate at 3 bar: 2–6 l/min.

K.12.JB.52M000B23

With battery
Without drain valve

K.12.JB.52M000N23

With mains adapter
Without drain valve

Wall mounted

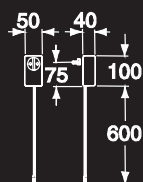
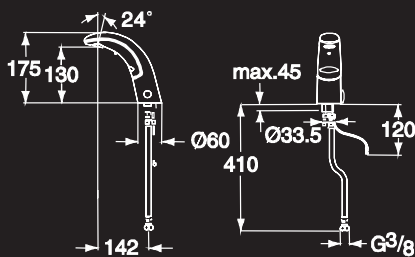


KWC TRONIC with infrared control system

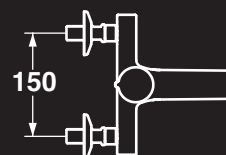
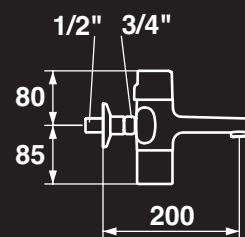
- 6 V DC lithium battery
- Fixed spout
- Infrared sensors (automatic adjustment)
- Microprocessor-controlled electronics
- Temperature adjustment using ceramic cartridge
- Adjustable shut-off delay
- Operating pressure 0,5 to 10 bar
- Non-return valve
- 6 V lithium battery CRP 2, service life approx. 3 years
- Lockable eccentric wall connections K.30.80.06.000.44 1/2" x 3/4"
- Flow rate at 3 bar: 6 l/min.

11.602.053.000

For spare parts, see page 39.



K.12.JB.52M000B23
K.12.JB.52M000N23



11.602.053.000

The finer details.

Small parts with a big impact.

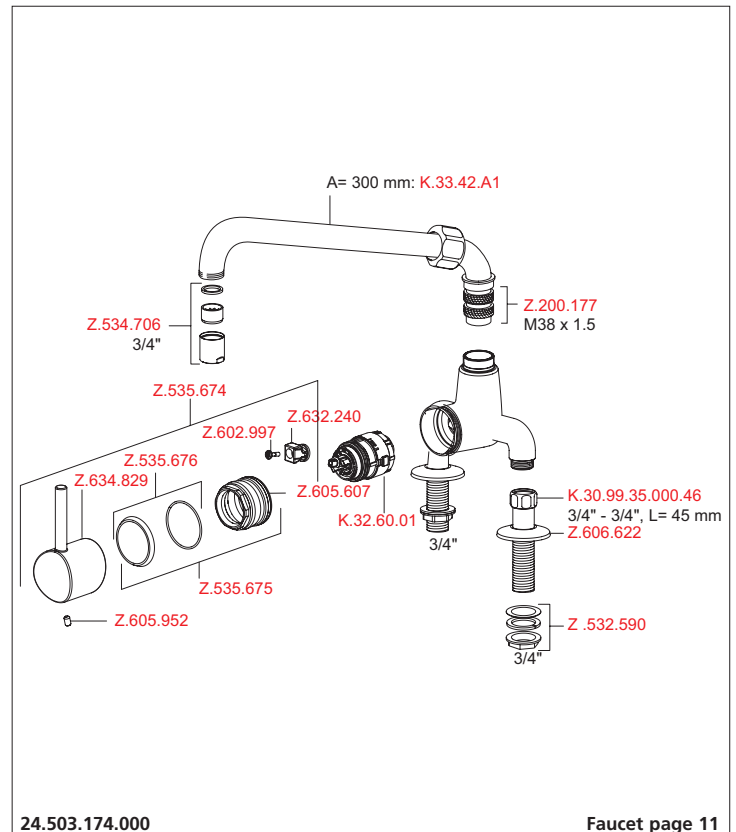
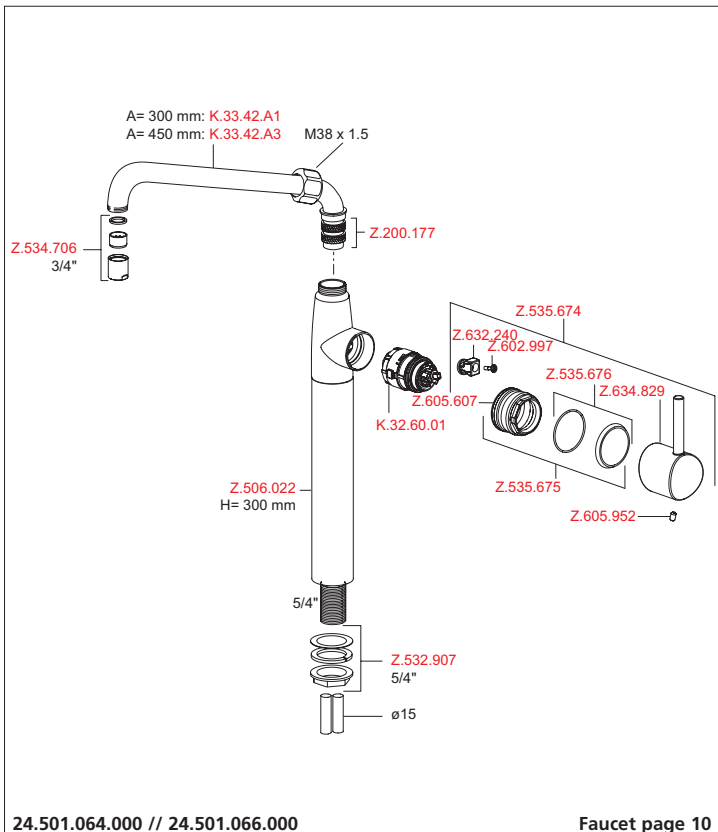
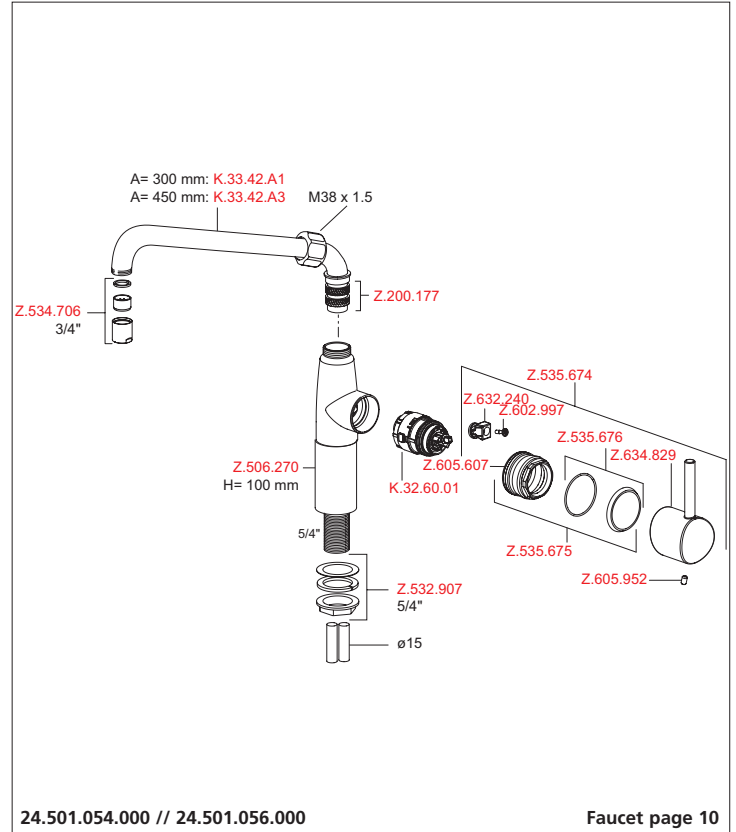
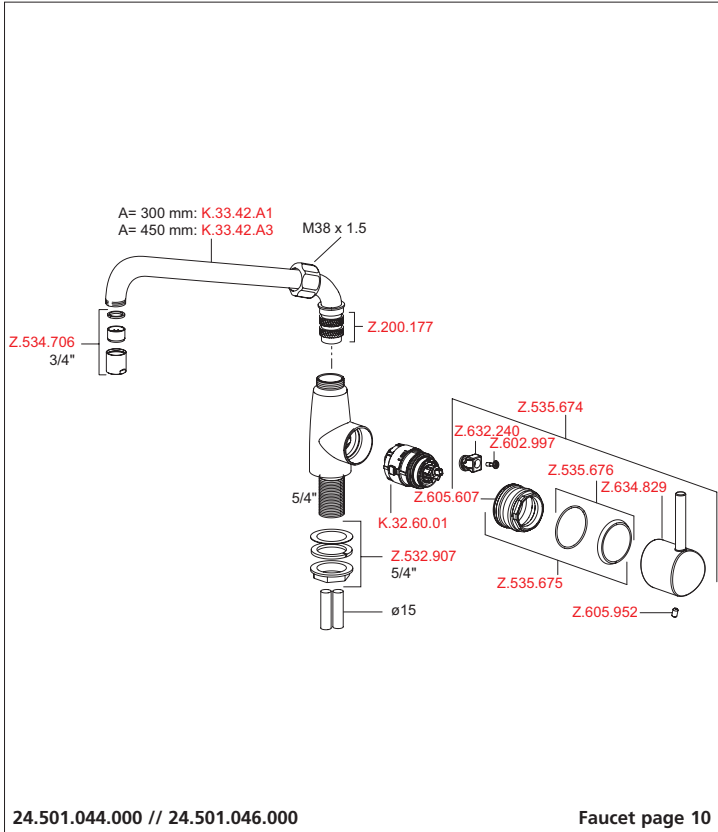
KWC faucets not only look good on the outside, they are also well designed on the inside. Discover just what we mean on the following pages.

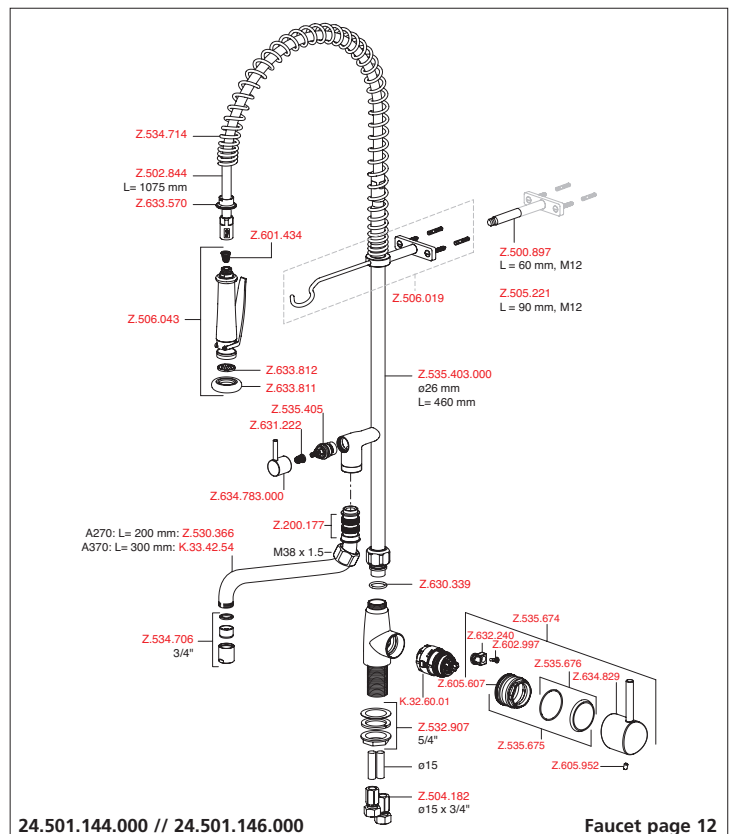
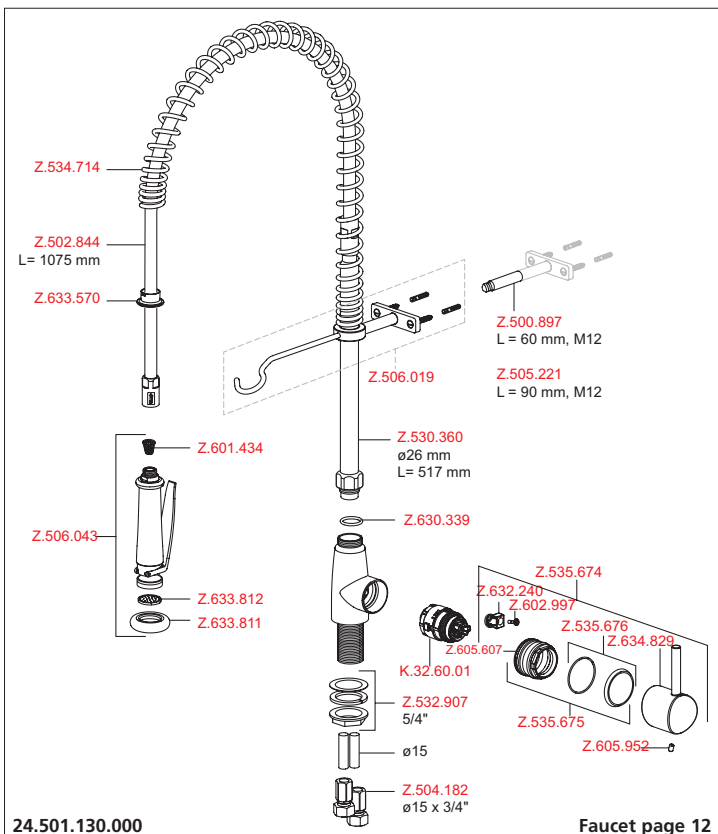
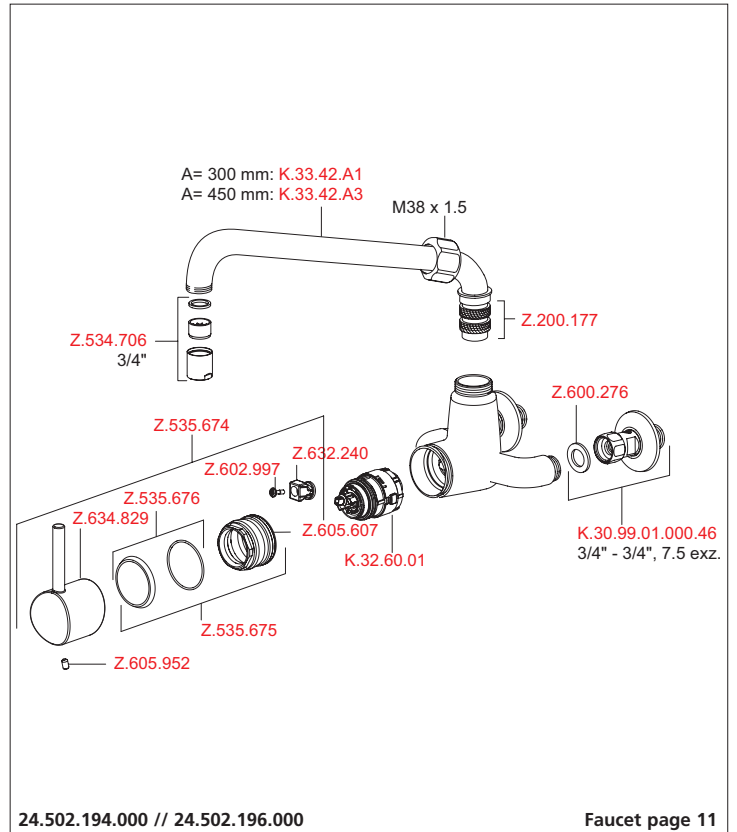
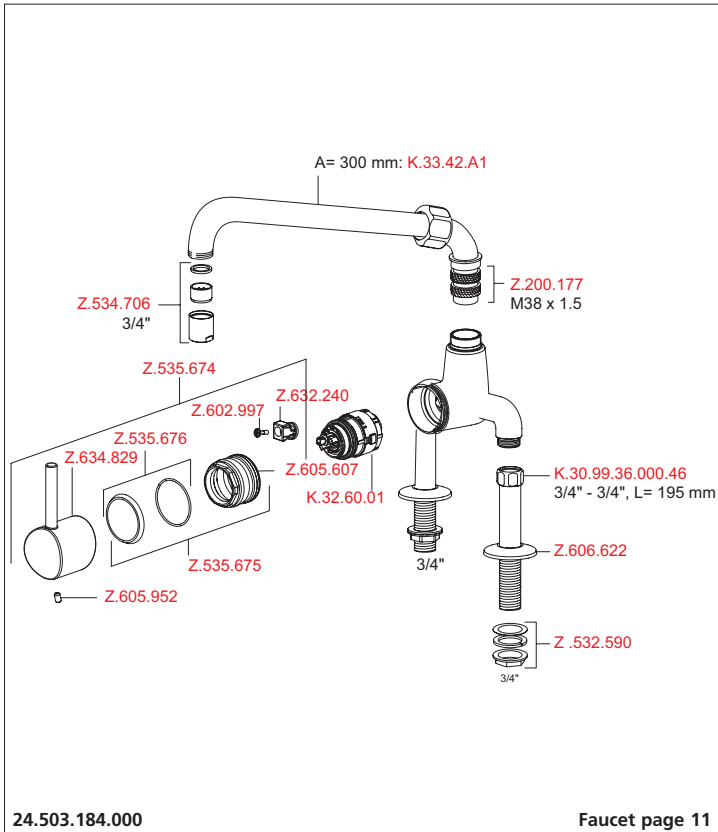
Not intended as inspiration for copycats – rather, convincing proof of how generally easy it is to replace this or the other part.



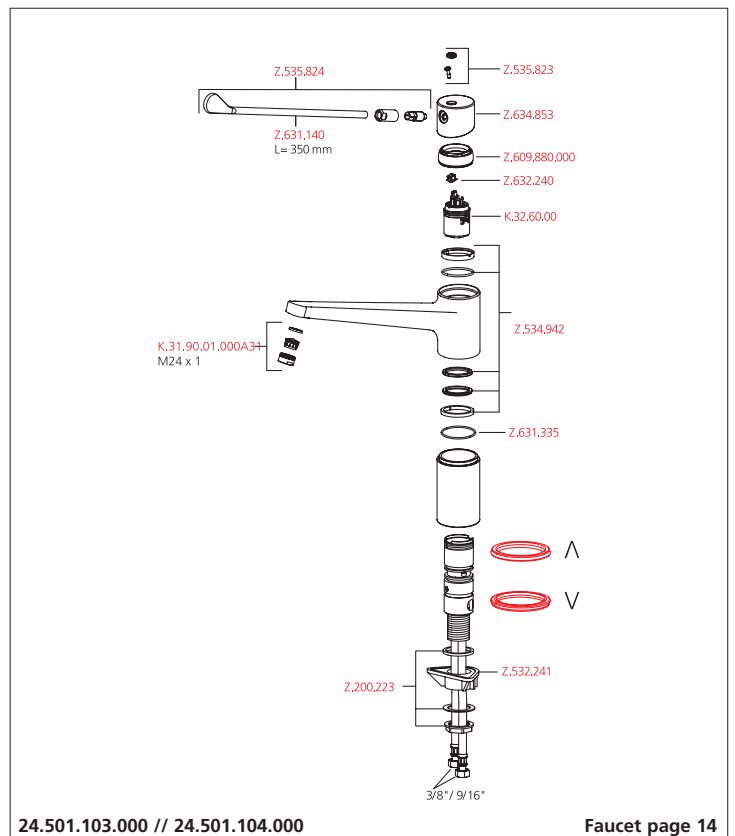
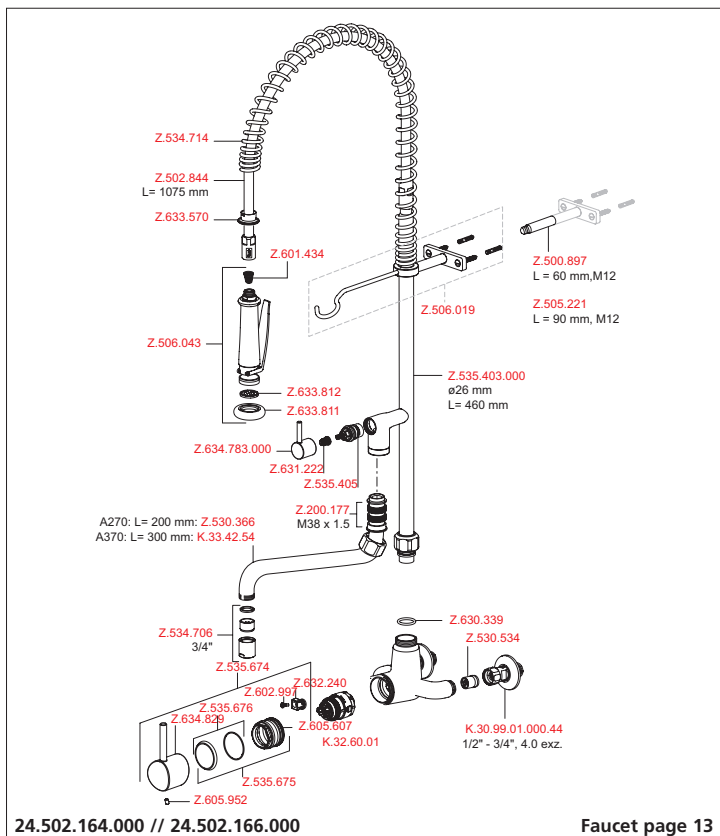
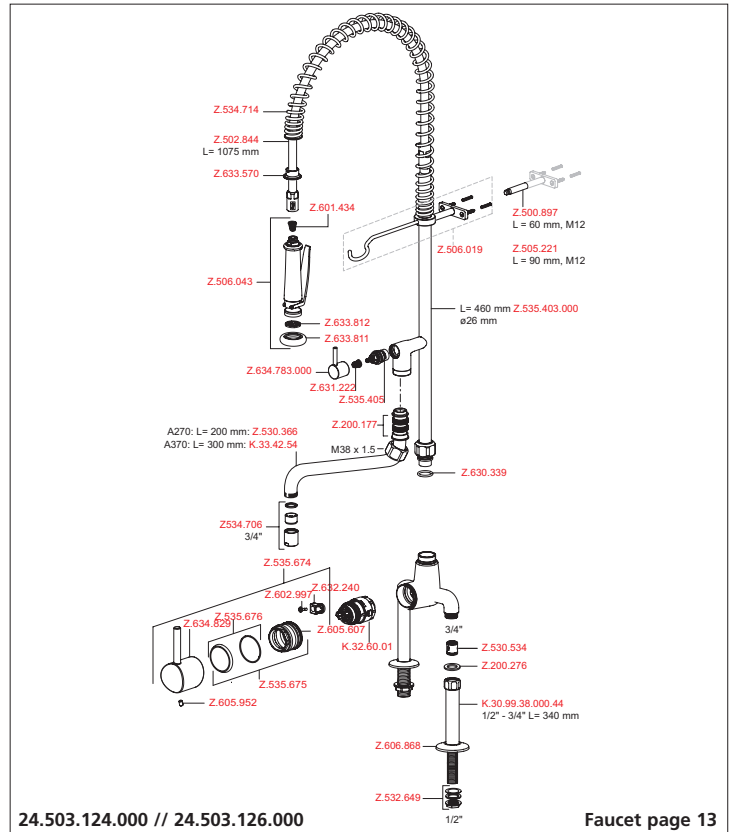
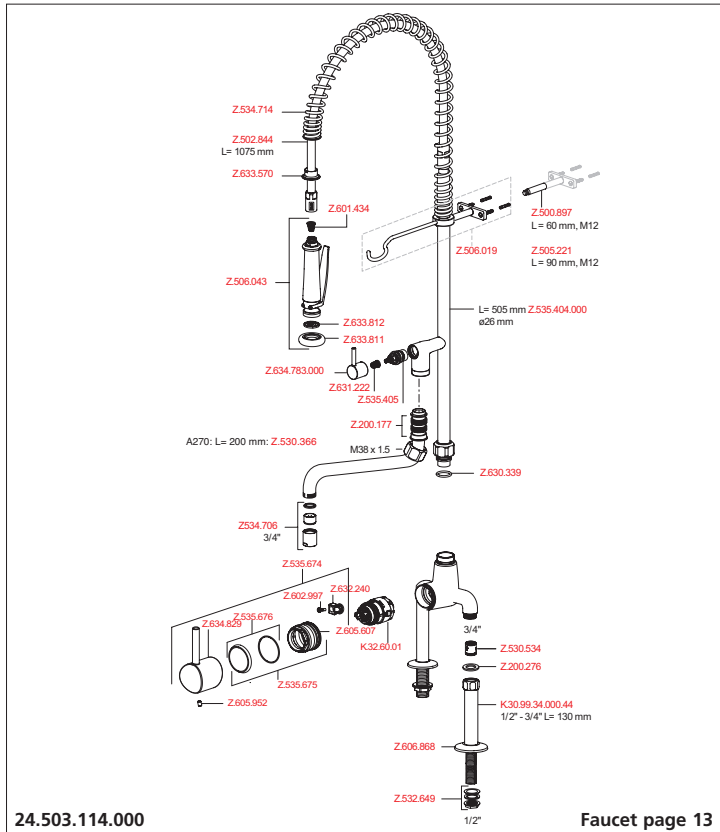


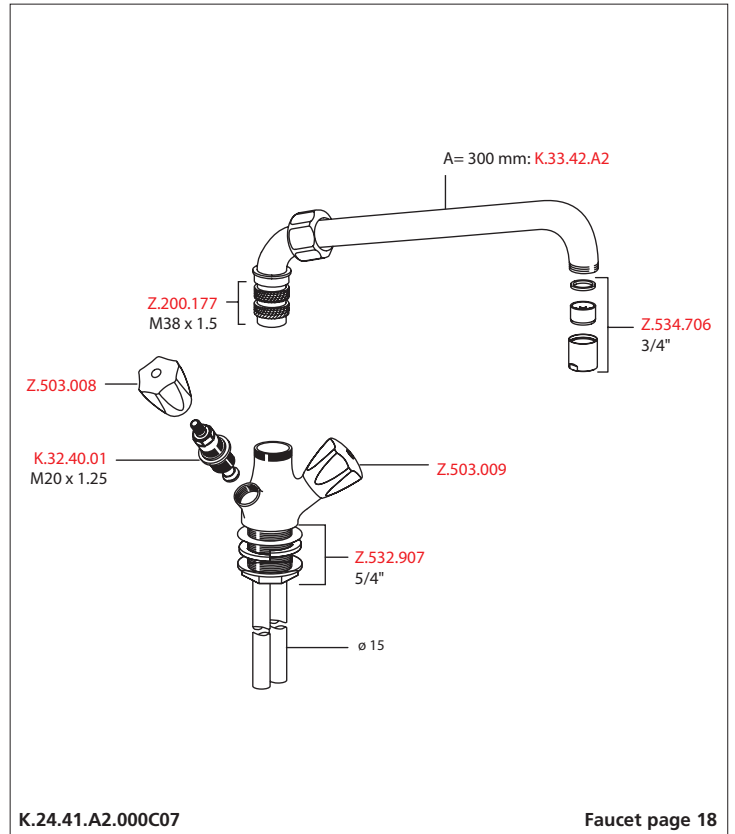
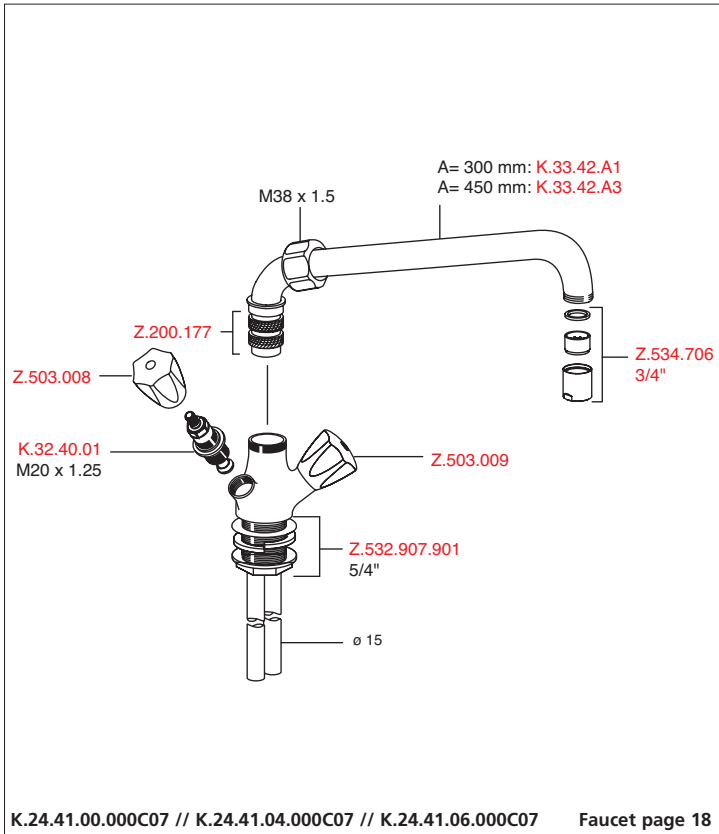
Spare parts



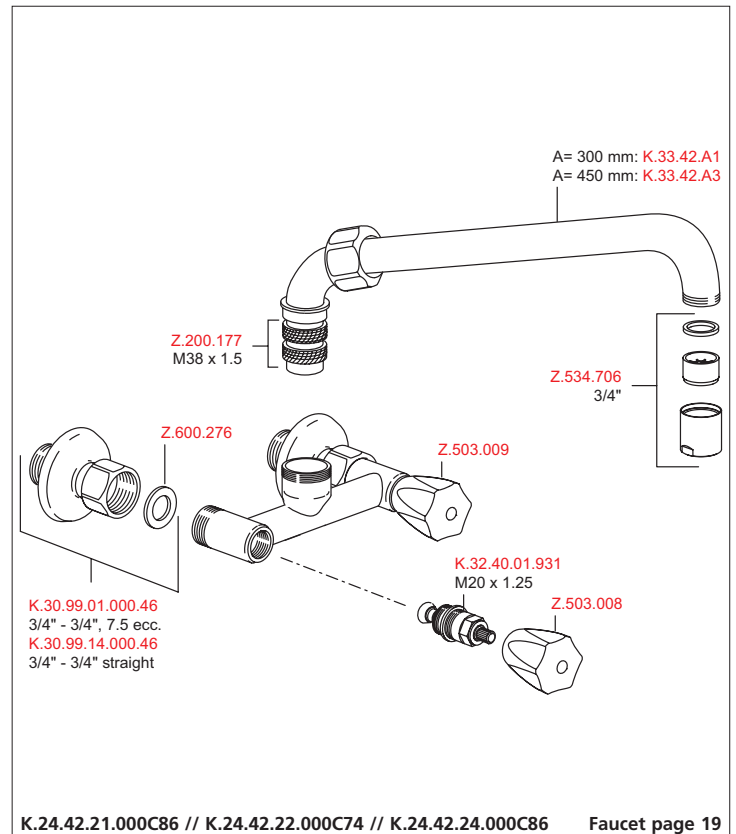
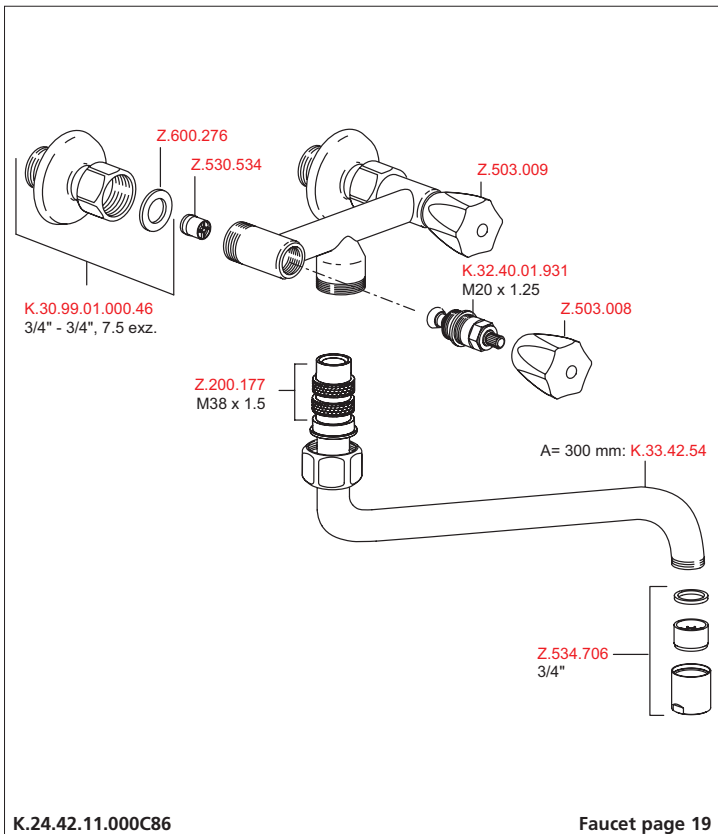
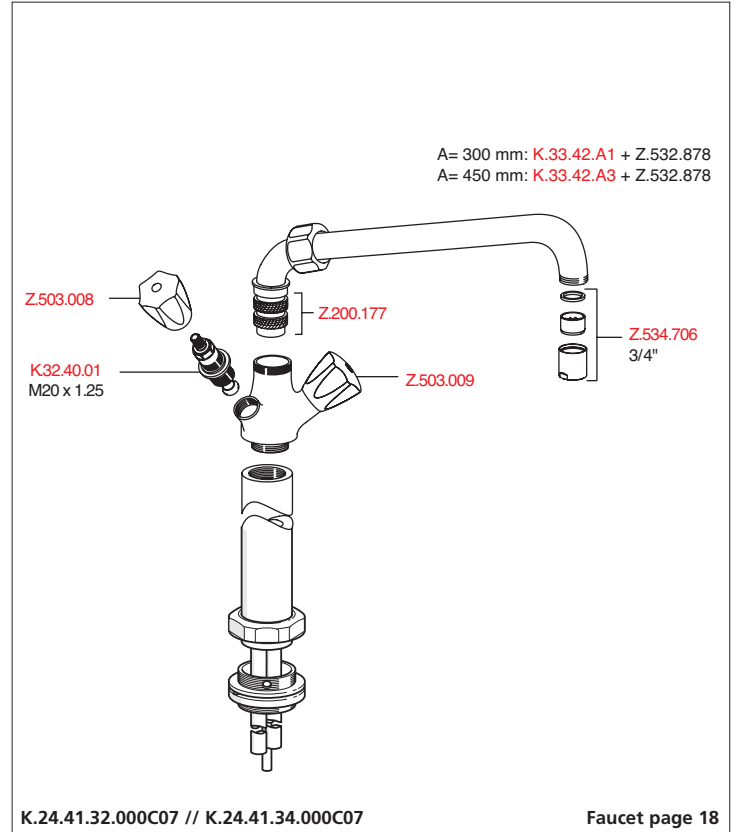
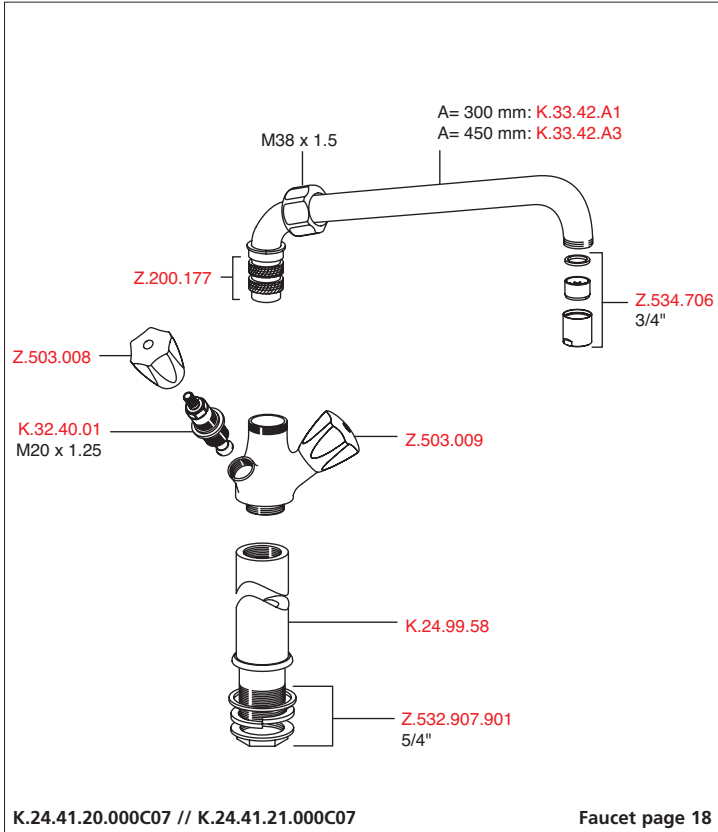


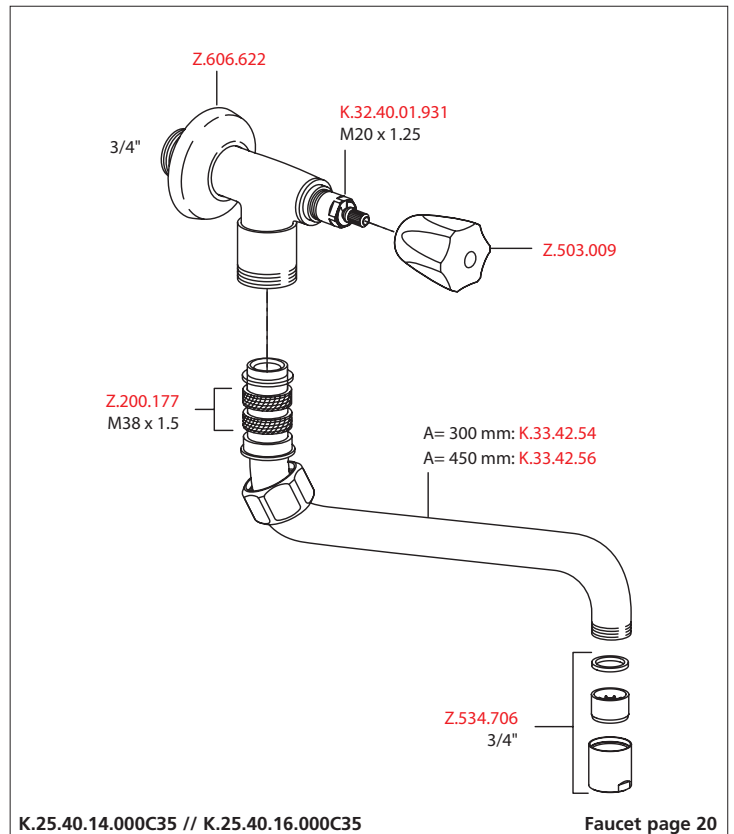
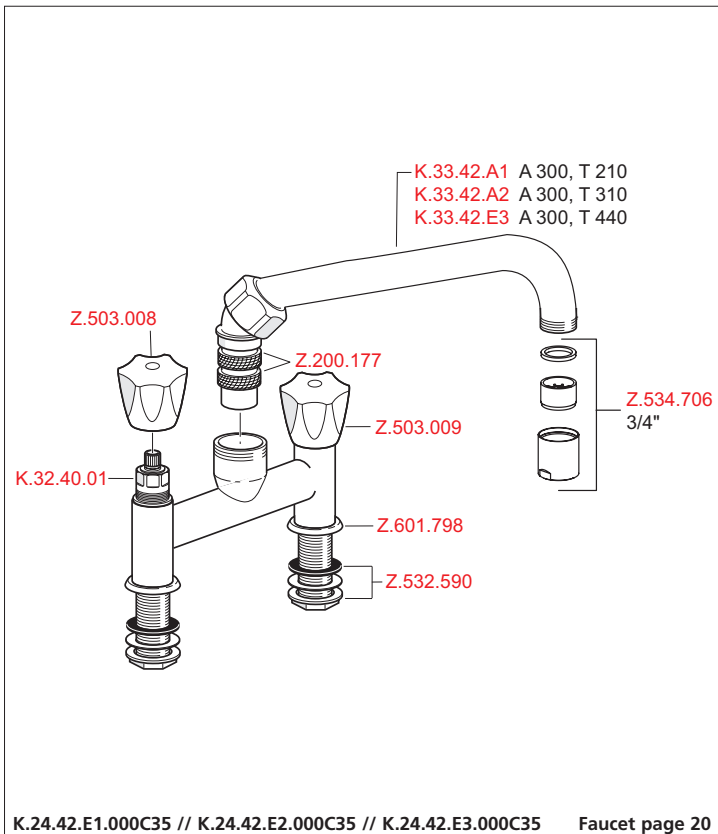
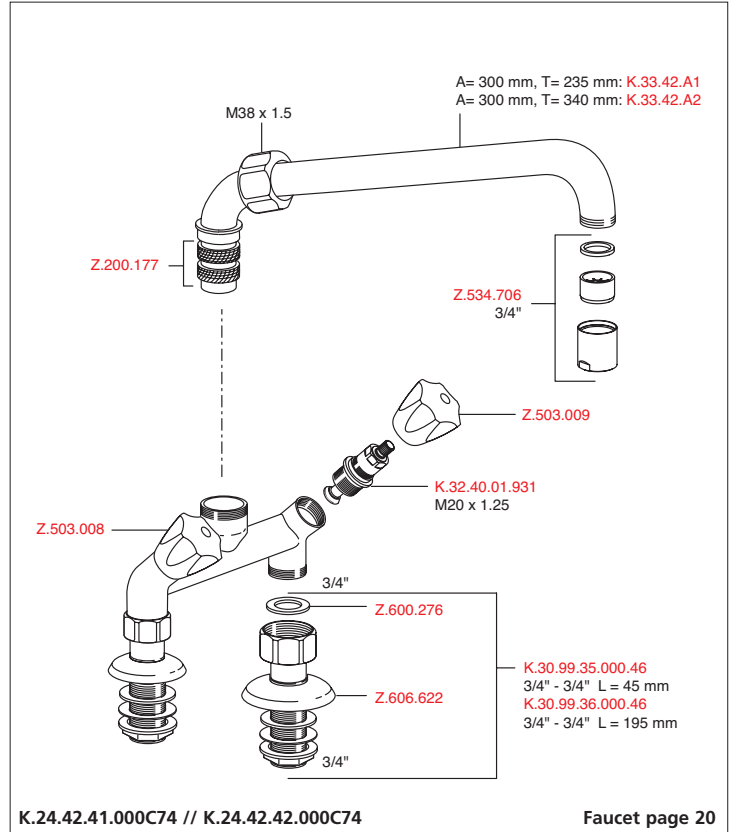
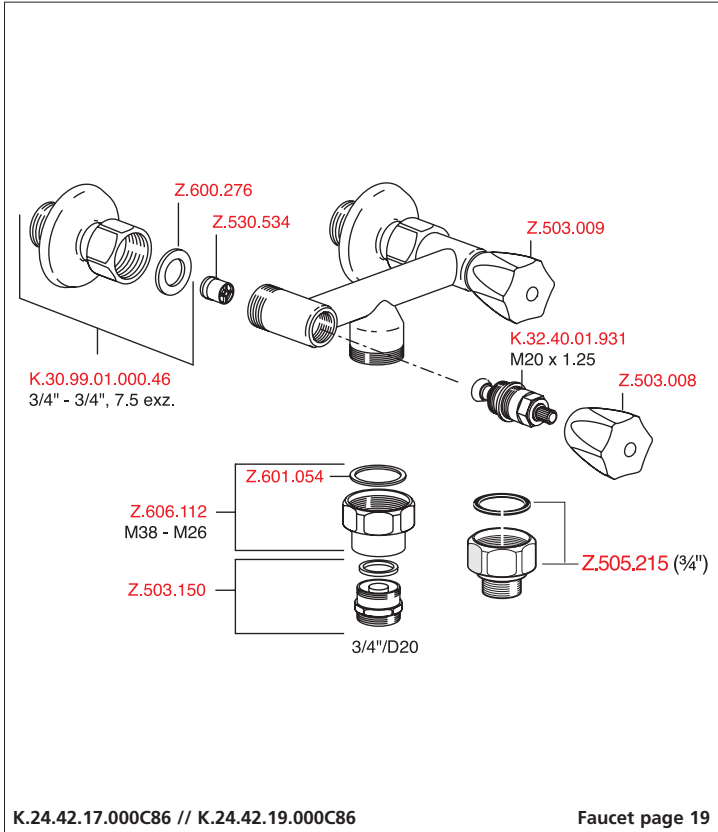
Spare parts



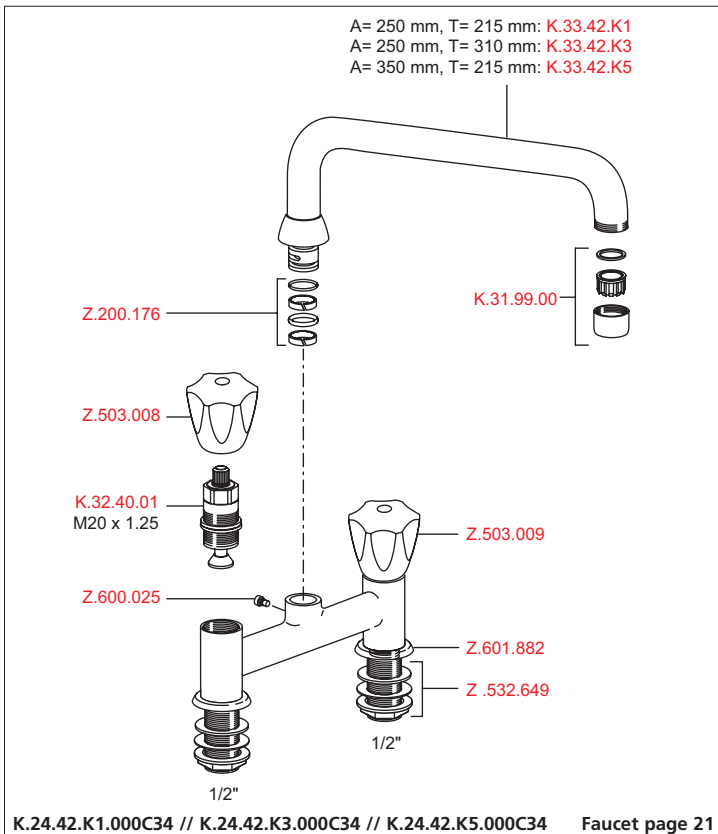
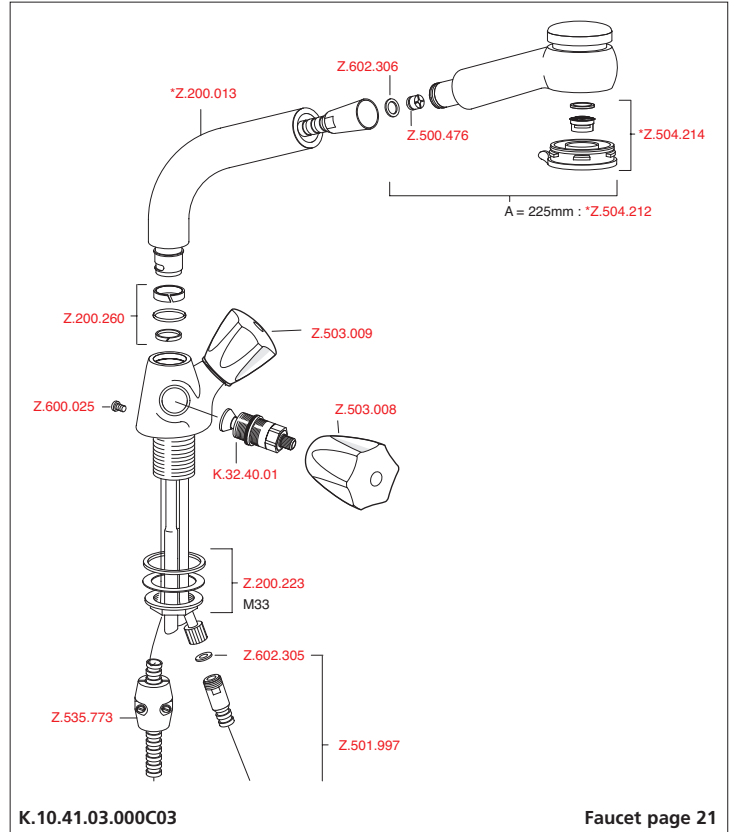
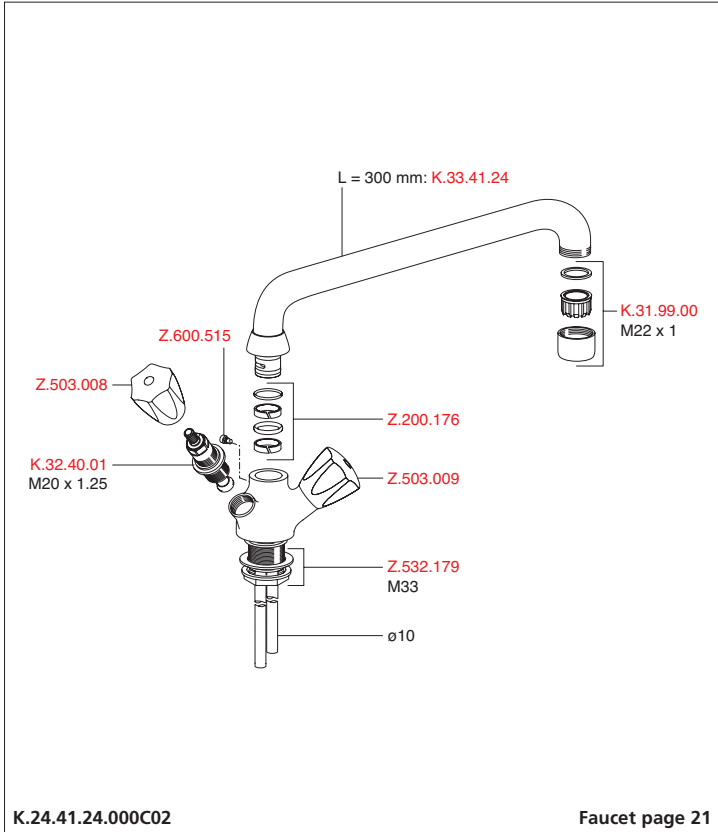


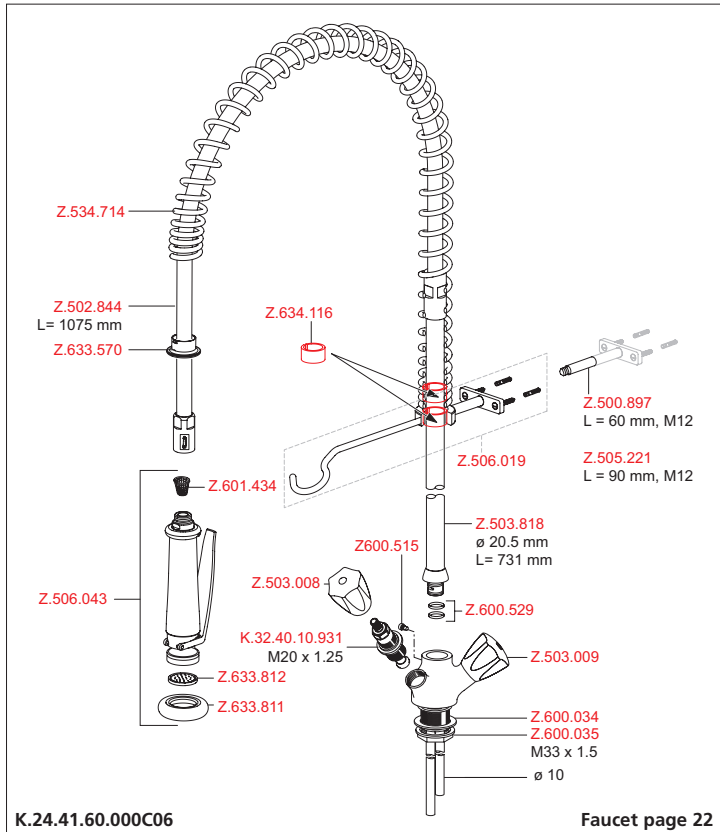
Spare parts





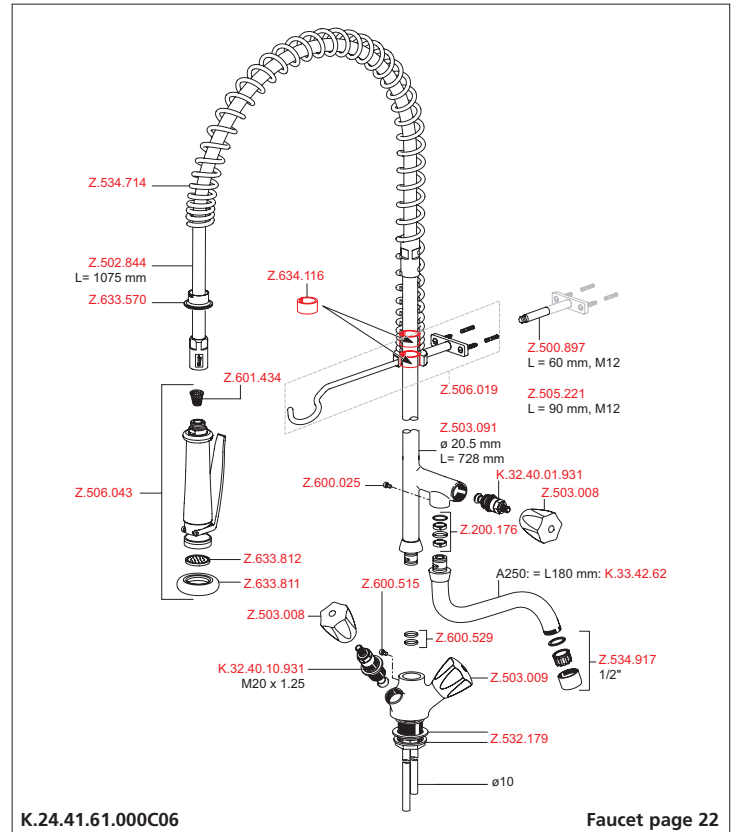
Spare parts





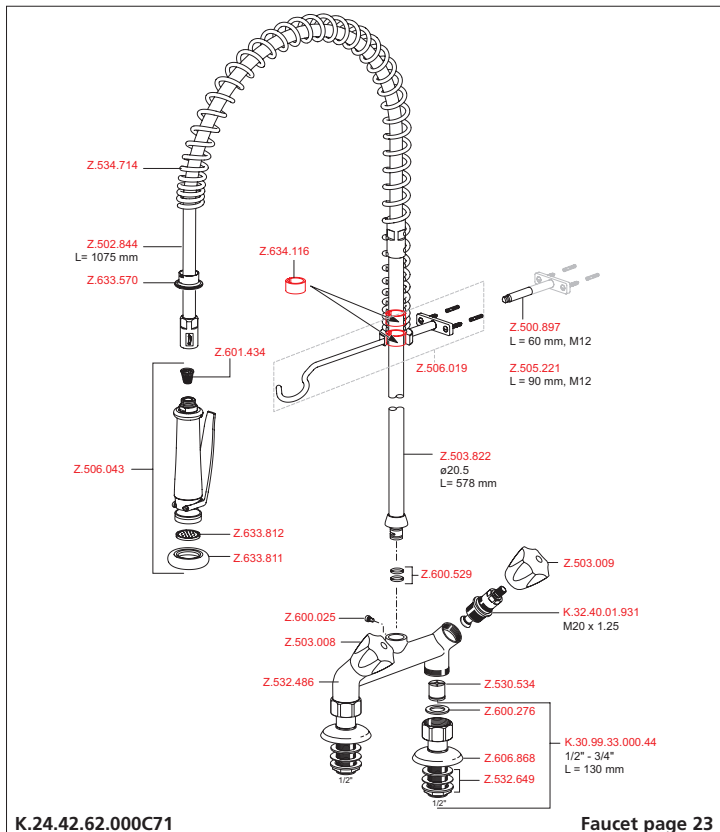
K.24.41.60.000C06

Faucet page 22



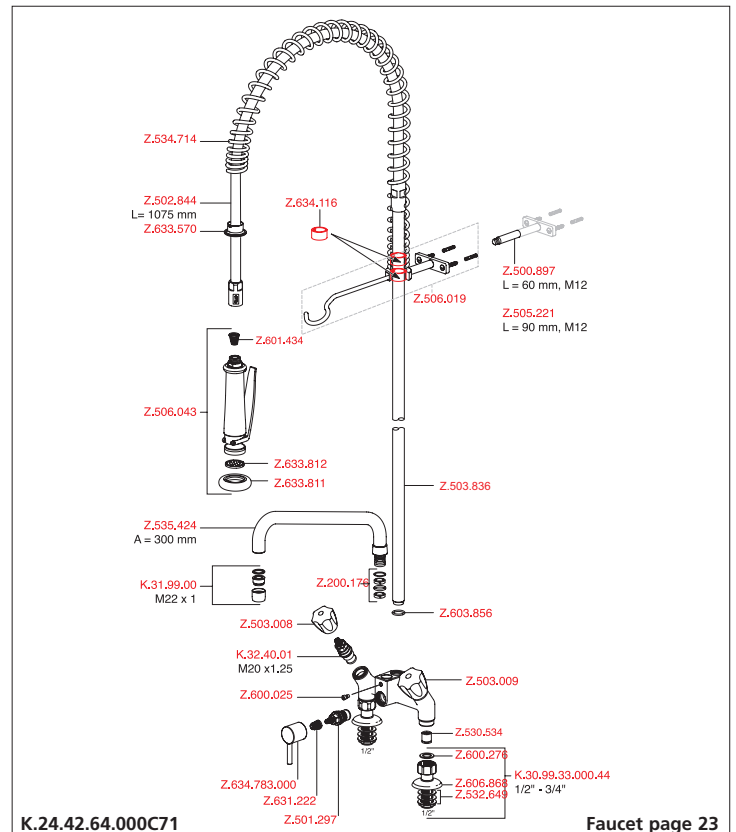
K.24.41.61.000C06

Faucet page 22



K.24.42.62.000C71

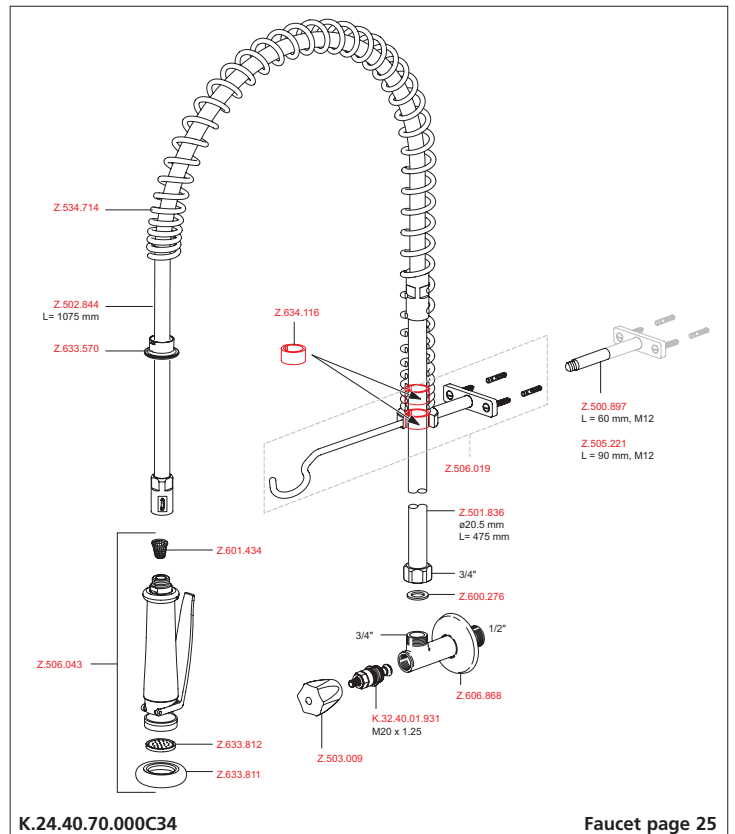
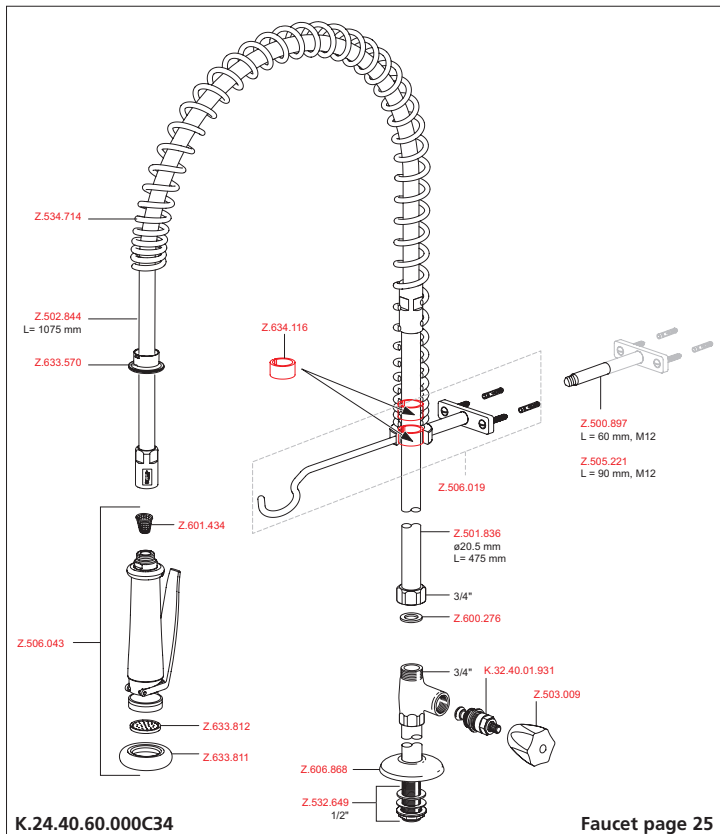
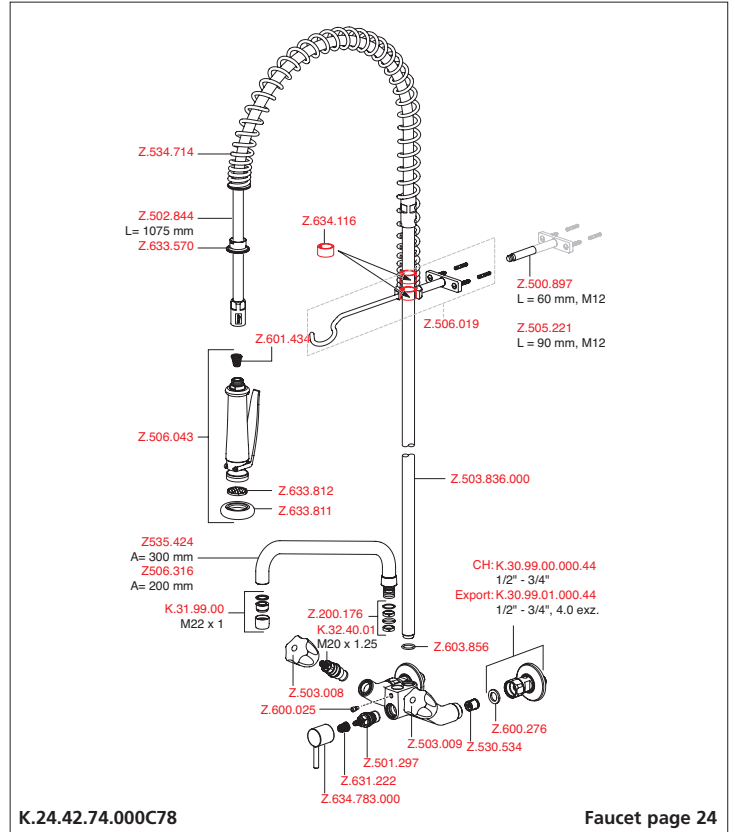
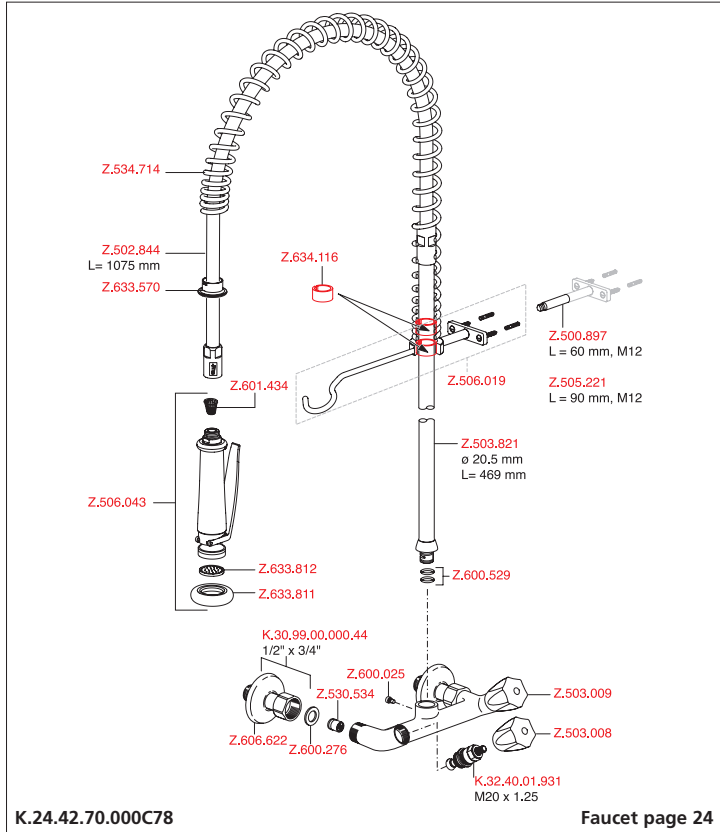
Faucet page 23



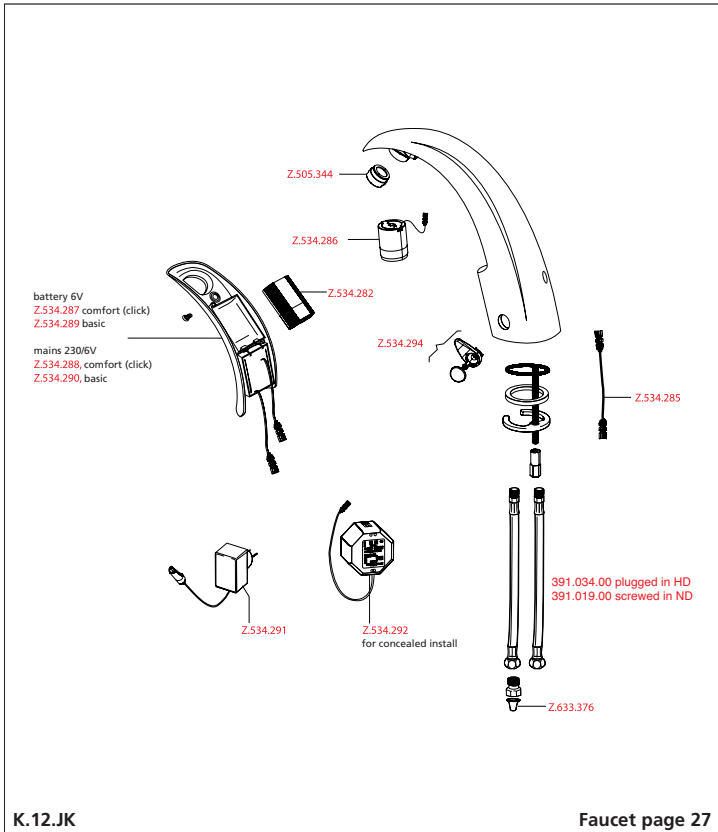
K.24.42.64.000C71

Faucet page 23

Spare parts



Accessories



Pre-rinse spray bracket extension

Z.500.897

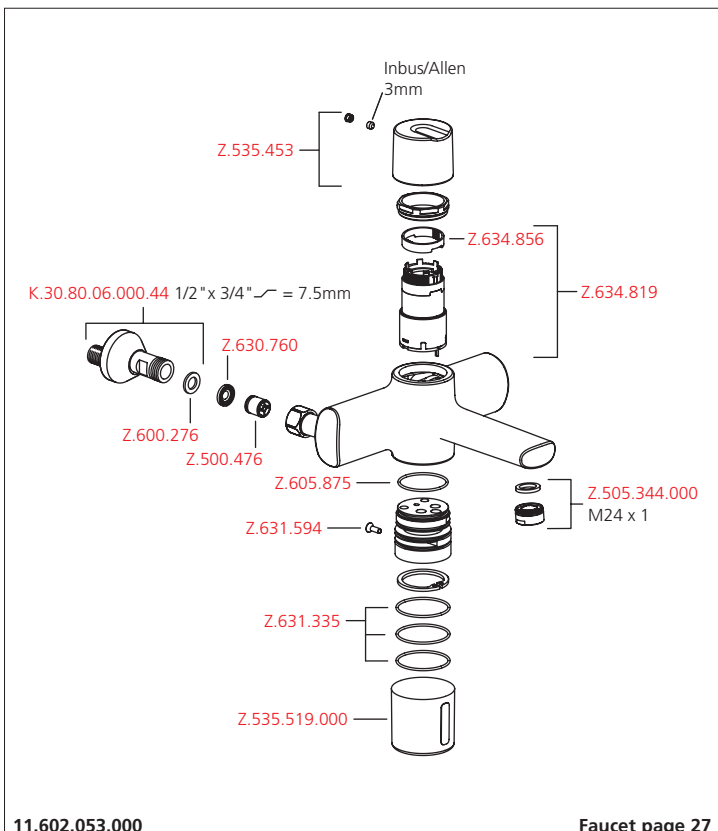
Using the bracket extension you can adjust the distance between the faucet and the wall to meet your individual requirements.



Drip-stop

Z.530.928

Prevents water from continuing to drip out of the spout. Fits all KWC GASTRO 3/4" faucets.



Hose connection

Z.504.527

Automatic diverter for hose connection. Fits all KWC 3/4" faucets. Hose connection 1/2".



Screw set

Z.200.162.000

The optional screw set makes the handles theft-proof.

The kitchen comes alive.

Expertise throughout the range.

KWC domestic faucets are just as impressive as their commercial counterparts. The extensive range combines a passion for Swiss precision with international design values, for products to suit every taste.



KWC ONO

KWC ONO redefines the concept of the kitchen faucet. Minimalist design and refined craftsmanship make for unrivalled simplicity and sophistication.

KWC EVE

Fluid, organic form with a slim and graceful design. The illuminated outlet alluringly highlights the flow of water.



KWC DOMO

The top-selling faucet range in Switzerland. A beautiful, timeless classic with a design that still looks new and fresh today.





KWC SYSTEMA

Pure perfection. A complete system for the semi-professional kitchen – flexible, multi-functional, compelling all round.



KWC INOX

High-quality materials, minimalist design, simple yet elegant looks and the latest technology. The ultimate in stainless steel appeal.

KWC DIVO

A new approach to function and harmony. And an eye-catching revelation from every angle.



KWC BLISS

A highly functional faucet with clean lines, at a reasonable price. The ideal combination of function and form.



KWC – a tradition of innovation.

New ideas for a new era.

The history of KWC perfectly demonstrates the power of innovation. From small beginnings, the company has outperformed on all fronts. Now KWC is an international producer of the highest quality faucets, a symbol of Swiss excellence throughout the world.

A place where time never stands still.

The harmony of a product's form is reflected by the precision of its manufacture. The measure of any new idea is how effectively it is put into practice. KWC continues to put every effort into reinventing traditional values and adding beauty to lifestyle.





An idea on the move.

In 1874 Adolf Karrer founded a company making mechanical music boxes in Unterkulm, Switzerland. He was gripped by a urge to inspire people with his innovative idea. KWC moved on to manufacturing high-quality faucets many years ago, but the music continues to play.



Small but crucial differences.

The desire to create elegant, graceful faucets begins with technical perfection. If a product is to look impressive in the kitchen or bathroom and provide years of impeccable service, each and every detail must be just right.



